

## TA 46    TAP 50    SAP 50 series

Steel filler plug  
and air filter

Polyamide  
filler plug

Polyamide  
air filter



## Technical data

### Air breathers & Filler plugs

#### Steel filler plug and air filter Flow rates up to 200 l/min

TA46 is a range of compact metal air breathers and filler caps for protection of the tank against the solid contamination contained into the air and filling of the fluid into the systems during the commissioning and maintenance procedures. They are directly fitted on the tank. The robust design allows the use of these filters in any heavy-duty application.

#### Available features:

- Male threaded connections up to 1/4" and flanged connection with bayonet, for a maximum flow rate of 200 l/min
- Fine cellulose filtration, to get a good cleanliness level into the reservoir
- Filling basket, to hold the coarse contamination contained into the fluid and to diffuse the fluid flow into the tank

#### Common applications:

- Compact hydraulic systems
- Compact mobile machines
- Industrial equipment

#### Flow rate $\Delta p$ 0.02 bar

TA46	Flow rate [l/min]	
	Filtration rating 03	10
	150	200

#### Materials (version G/N)

- Cover: Chrome plated steel
- Filter element: Resin impregnated paper, Polyurethane
- Flange: Galvanized steel
- Connection: Phosphatized steel

#### Materials (version B)

- Cover: Chrome plated steel
- Filter element: Resin impregnated paper, Polyurethane
- Flange: Galvanized steel
- Connection: Galvanized steel
- Seals: NBR
- Chain: Brass
- Screws: Galvanized steel
- Basket: Galvanized steel

#### Temperature

From -25 °C to +100 °C

#### Weight

TA 46 B 0.10 kg  
TA 46 G/N 0.11 kg



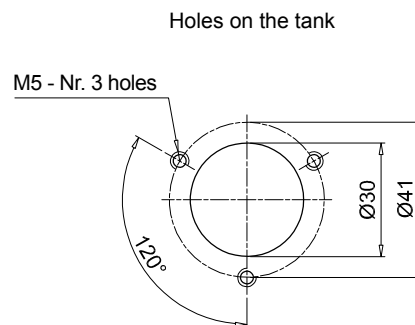
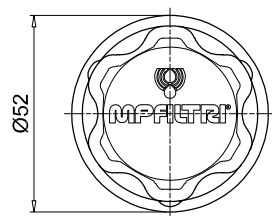
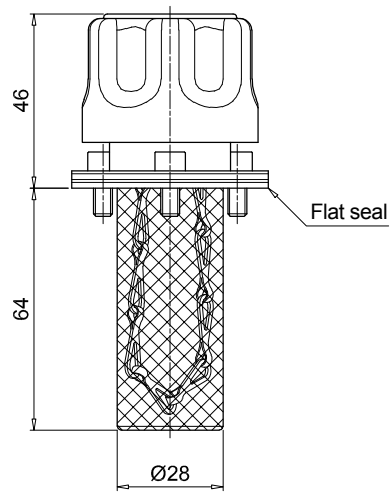
## Designation & Ordering code

### COMPLETE FILLER PLUG

<b>Serie</b> <b>TA46</b>	Configuration example 1:	TA46	B	03	A	0	0	1	P01
	Configuration example 2:	TA46	G	10					P01
<b>Connections</b>									
<b>B</b>	Screwed flange with bayonet mount								
<b>G</b>	G 1/4"								
<b>N</b>	1/4" NPT								
<b>Filtration rating</b>									
<b>03</b>	Resin impregnated paper	3 $\mu$ m							
<b>10</b>	Polyurethane	10 $\mu$ m							
<b>Seals</b>									
<b>A</b>	NBR	Connection:	B	G	N				
<b>Valve</b>									
<b>0</b>	Without valve	Connection:	B	G	N				
<b>Version</b>									
<b>0</b>	Standard	Connection:	B	G	N				
<b>Basket</b>									
<b>1</b>	With basket	Connection:	B	G	N				
<b>Execution</b>									
<b>P01</b>	MP Filtri standard								
<b>Pxx</b>	Customized								

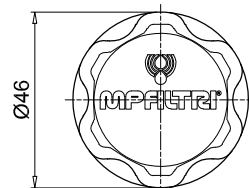
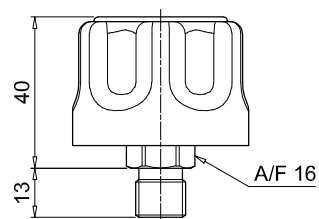
TA46

Screwed flange



TA46

Threaded connection



# TAP 50 GENERAL INFORMATION

## Technical data

### Air breathers & Filler plugs

#### Filler plug and polyamide air filters

#### Flow rates up to 200 l/min

TAP50 is a range of compact plastic air breathers and filler caps for protection of the tank against the solid contamination contained into the air and filling of the fluid into the systems during the commissioning and maintenance procedures.

#### Available features:

- Flanged connection with bayonet, for a maximum flow rate of 200 l/min
- Fine cellulose filtration, to get a good cleanliness level into the reservoir
- Filling basket, to hold the coarse contamination contained into the fluid and to diffuse the fluid flow into the tank

#### Common applications:

- Compact hydraulic systems
- Compact mobile machines
- Industrial equipment

#### Flow rate $\Delta p$ 0.02 bar

	Flow rate [l/min]	
	Filtration rating 03	10
<b>TAP50</b>	180	202

#### Materials

- Cover/ringnut: Polyamide
- Filter element: Resin impregnated paper, Polyurethane
- Pressurization valve: Polyamide, Galvanized steel, NBR
- Seals: NBR
- Flange: Polyamide
- Screws: Galvanized steel
- Basket: Polyamide

#### Temperature

From -25 °C to +100 °C

#### Weight

TAP 50 0.60 kg

#### Quantity

10 pcs/pack



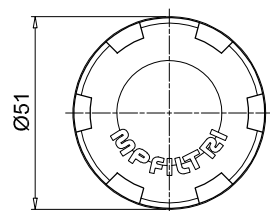
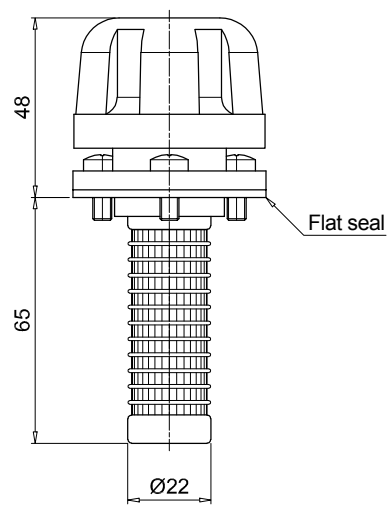
## Designation & Ordering code

### COMPLETE FILLER PLUG

Serie	Configuration example :	TAP50	C	03	A	1	1	P01
<b>TAP50</b>								
<b>Connections</b>								
<b>C</b>	Screwed flange with G 3/4" mount							
<b>Filtration rating</b>								
<b>03</b>	Resin impregnated paper 3 µm							
<b>10</b>	Polyurethane 10 µm							
<b>Seals</b>								
<b>A</b>	NBR							
<b>Valve</b>								
<b>0</b>	Without valve							
<b>1</b>	0.5 bar pressurization valve							
<b>Basket</b>								
<b>1</b>	With basket							
<b>Execution</b>								
<b>P01</b>	MP Filtri standard							
<b>Pxx</b>	Customized							

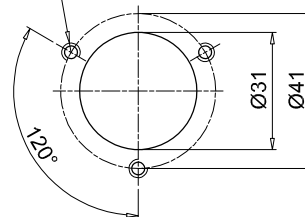
TAP50

Screwed flange



Holes on the tank

M5 - Nr. 3 holes



# SAP 50 GENERAL INFORMATION

## Technical data

### Air breathers & Filler plugs

#### Air breathers

#### Flow rates up to 200 l/min

SAP50 is a range of compact plastic air breathers for protection of the tank against the solid contamination contained into the air. They are directly fitted on the tank.

#### Available features:

- Male threaded connections up to 3/4", for a maximum flow rate of 200 l/min
- Fine cellulose filtration, to get a good cleanliness level into the reservoir

#### Common applications:

- Compact hydraulic systems
- Compact mobile machines
- Industrial equipment

#### Flow rate $\Delta p$ 0.02 bar

	Flow rate [l/min]	
	Filtration rating 03	10
<b>SAP50</b>	180	204

#### Materials

- Cover/Connection: Polyamide
- Filter element: Resin impregnated paper, Polyurethane
- Pressurization valve: Polyamide, Galvanized steel, NBR
- Seals: NBR

#### Temperature

From -25 °C to +100 °C

#### Weight

SAP 50 0.40 kg

#### Quantity

10 pcs/pack



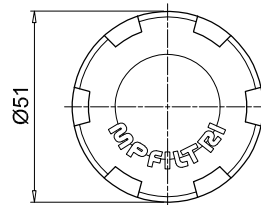
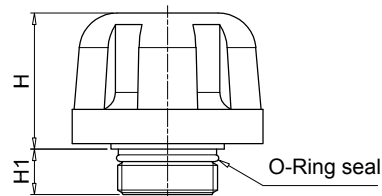
## Designation & Ordering code

### COMPLETE AIR FILTER

Serie	Configuration example :							
<b>SAP50</b>	SAP50	G3	L03	A	1	0	P01	
<b>Connections</b>								
<b>G1</b>	G 1/4"							
<b>G2</b>	G 3/8"							
<b>G3</b>	G 1/2"							
<b>G4</b>	G 3/4"							
<b>G9</b>	SAE 6 - 9/16" - 18 UNF							
<b>G10</b>	SAE 12 - 1 1/16" - 12 UN							
<b>Filtration rating</b>								
<b>L03</b>	Resin impregnated paper	3 µm						
<b>L10</b>	Polyurethane	10 µm						
<b>Seals</b>								
<b>A</b>	NBR							
<b>Valve</b>		Connection						
		G1	G2	G3	G4	G9	G10	
<b>0</b>	Without valve	•	•	•	•	•	•	
<b>1</b>	0.5 bar pressurization valve		•	•	•		•	
<b>Basket</b>								
<b>0</b>	Without basket							
<b>Execution</b>								
<b>P01</b> MP Filtri standard								
<b>Pxx</b> Customized								

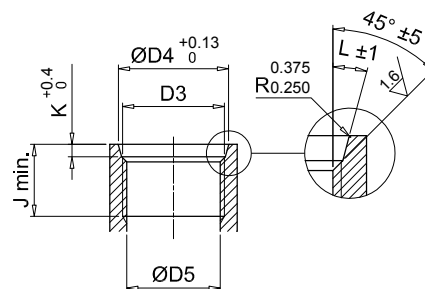
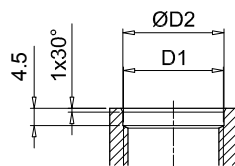
SAP50

Threaded connection



Housing on the tank for connections BPS

Housing on the tank for connections SAE



Connections	H [mm]	H1 [mm]	D1 [mm]	$\text{Ø}D2$ [mm]	D3 [mm]	$\text{Ø}D4$ [mm]	$\text{Ø}D5$ [mm]	J min. [mm]	K [mm]	L
<b>G1</b>	36	12	G 1/4"	13.5	-	-	-	-	-	-
<b>G2</b>	36	12	G 3/8"	17	-	-	-	-	-	-
<b>G3</b>	36	12	G 1/2"	21.5	-	-	-	-	-	-
<b>G4</b>	36	12	G 3/4"	26.7	-	-	-	-	-	-
<b>G9</b>	36	12	-	-	SAE 6 - 9/16" - 18 UNF	15.6	13.081 12.751	12.7	2.5	12°
<b>G10</b>	35	14.5	-	-	SAE 12 - 1 1/16" - 12 UN	29.2	24.978 24.696	19	3.3	15°