

# EM1 series

Pressure gauge isolator



## Technical data

### Accessories

#### Pressure gauge isolator

Gauge isolator valves are designed to protect pressure gauges from pressure shocks when the pressure reading is not required; after each reading setting the selector to the closed position serves to depressurise the pressure gauge by means of the T fitting connected to the reservoir.

#### Working instructions:

- Button not pressed: pressure gauge isolated
- Button pressed: pressure gauge reading
- Button pressed and turned (either to left or right): button remains in position and pressure gauge measures pressure continuously.
- To isolate the pressure gauge from pressure reading, turn the button until it returns to the not pressed position.

#### Materials A-B

- Body: Cast iron
- Pin: Steel
- Seals: NBR, FPM
- Knob/cover: Polyamide
- Stop ring: Steel
- Spring: Steel
- Nameplate: Aluminium
- Nut-screw: Galvanized steel

#### Materials C

- Body: Cast iron
- Pin: Steel
- Seals: NBR, FPM
- Knob/cover: Polyamide
- Stop ring: Steel
- Spring: Steel
- Nameplate: Aluminium
- Nut-screw: Galvanized steel
- Plug: Anodized steel

#### Operating pressure

400 bar

#### Operating temperature

From -25 °C to + 100 °C

#### Weight

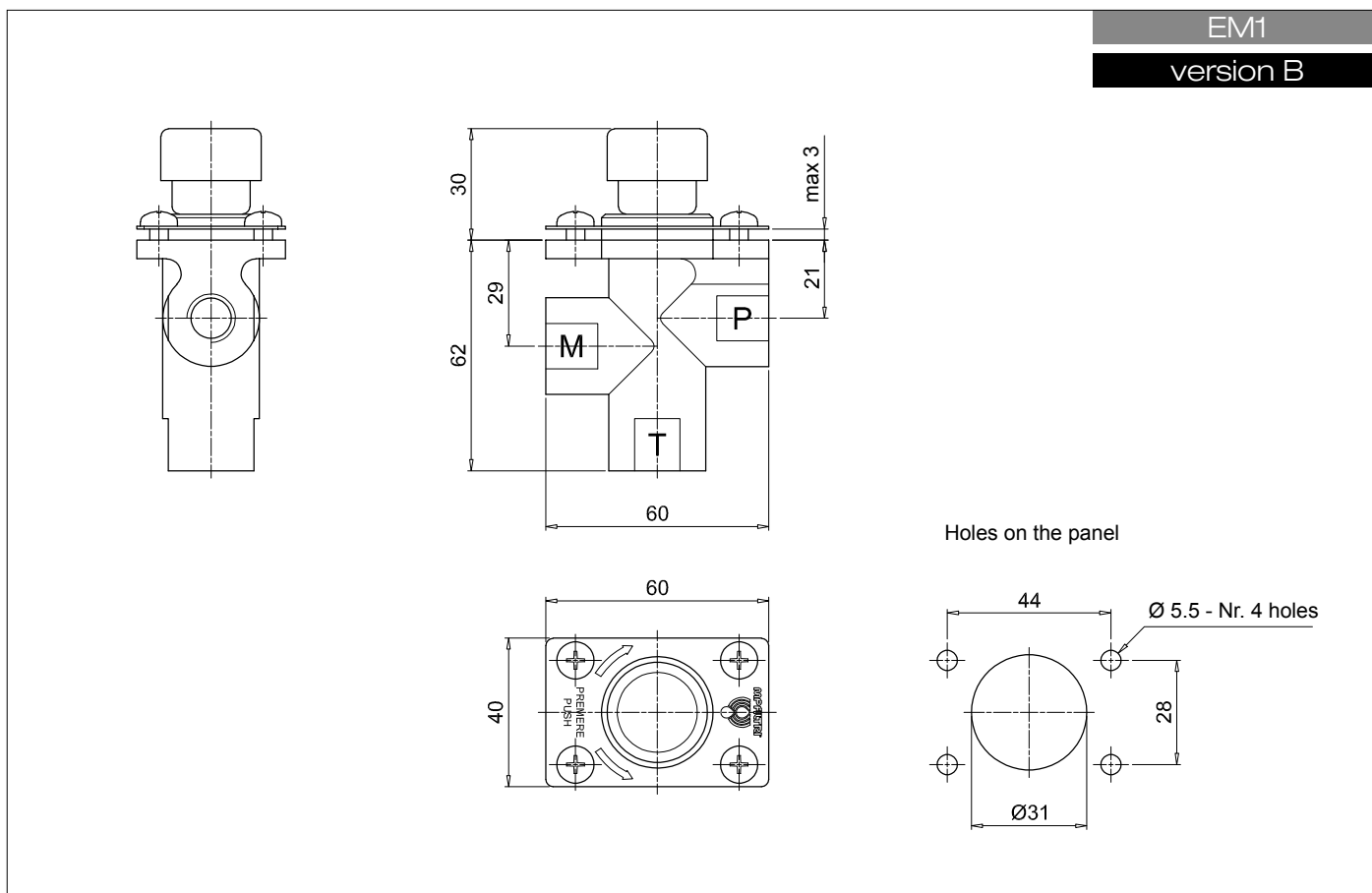
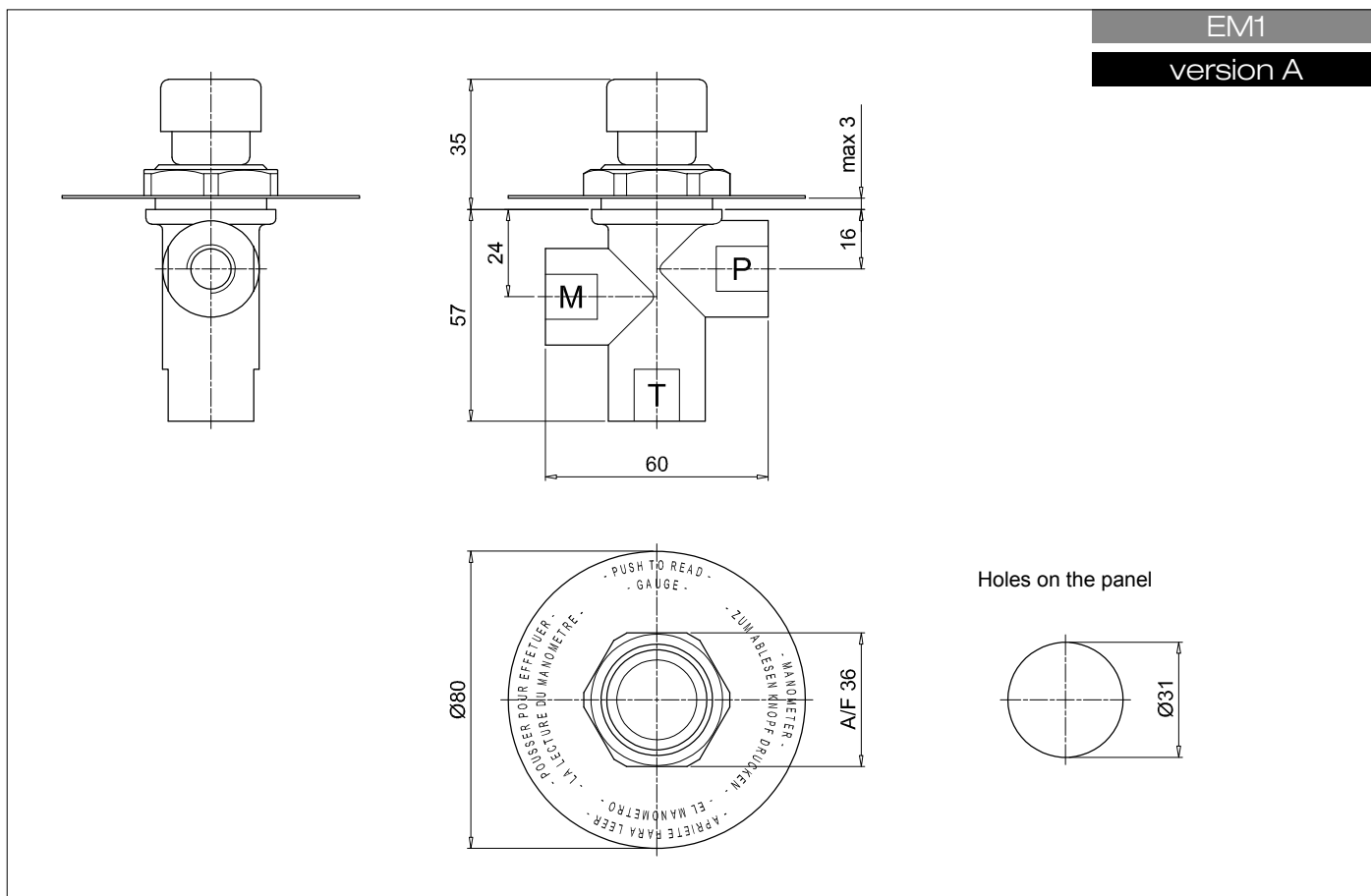
EM1 version A	0.41 kg
EM1 version B	0.44 kg
EM1 version C	1.00 kg



## Designation & Ordering code

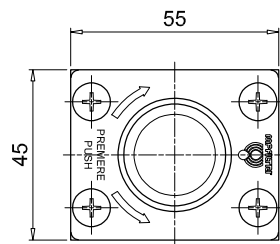
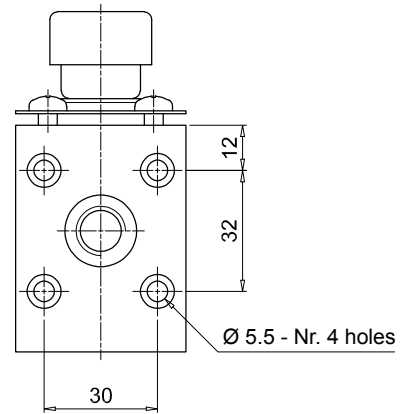
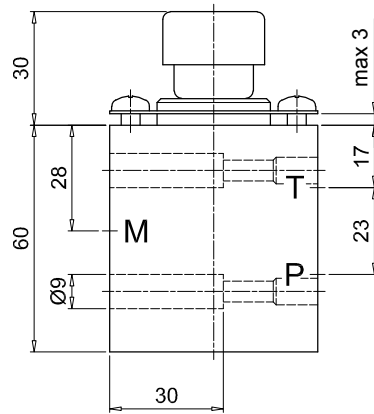
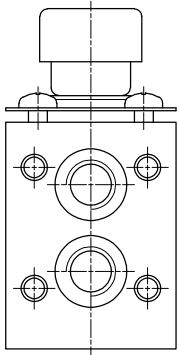
### COMPLET PRESSURE-GAUGE ISOLATOR

Series	Configuration example :				
<b>EM1</b>	EM1	A	G2	A	P01
Version					
<b>A</b> Threaded connections, panel mount with hex nut					
<b>B</b> Threaded connections, panel mount with screws					
<b>C</b> Manifold/threaded connections, panel mount with screws					
Connection					
<b>G1</b> G 1/4"					
<b>G2</b> 1/4" NPT					
<b>G3</b> SAE 5 - 1/2" - 20 UNF					
Seals					
<b>A</b> NBR					
<b>V</b> FPM					
Execution					
<b>P01</b> MP Filtri standard					
<b>Pxx</b> Customized					



EM1

version C



Holes on the panel

