

# LCP - LCC series

Visual oil level indicator - round shape



# LCP GENERAL INFORMATION

## Technical data

### Visual Oil Level Indicators

#### Visual oil level indicator - round shape

LCP is a range of plastic compact fluid level indicators, usually called spy eyes, for monitoring of the fluid level into the tank. They are directly fitted on the tank side.

Housings made of polyamide or steel can be selected, to meet every condition.

#### Available features:

- Male threaded connections up to G 2"
- Contrast baffle, to allow an easy monitoring of the level
- Special fixing kit, for reliable sealing even in tanks with thin walls

#### Common applications:

- Hydraulic systems
- Mobile machines
- Industrial equipment

#### T Series

##### Weight

LCPG13	1 g
LCPG16	2 g
LCPG20	4 g
LCPG26	8 g
LCPG33	10 g
LCPG42	12 g

##### Materials

- Body: Polyamide
- Contrast baffle : Polyamide
- Seals: NBR

#### M Series

##### Weight

LCPG20	6 g
LCPG26	9 g
LCPG33	13 g

##### Materials

- Body: Aluminium
- Lens: Thermoplastic
- Contrast baffle : Polyamide
- Seals: Inorganic fibre

#### N Series

##### Weight

LCPG13	2 g
LCPG16	4 g
LCPG20	7 g
LCPG26	9 g
LCPG30	12 g
LCPG33	18 g
LCPG42	25 g
LCPG48	48 g
LCPG60	59 g

##### Materials

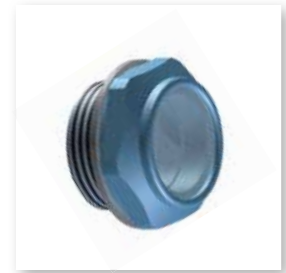
- Body: Polyamide
- Lens: Thermoplastic
- Contrast baffle : Polyamide
- Seals: Inorganic fibre, NBR
- Special fixing kit: Brass, NBR

#### Temperature

From -20 °C to + 80 °C

#### Quantity

25 pcs/pack

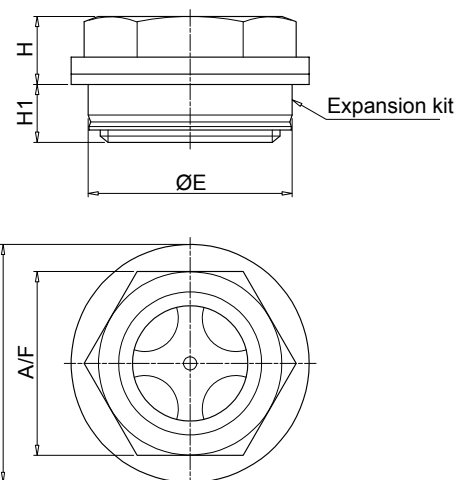
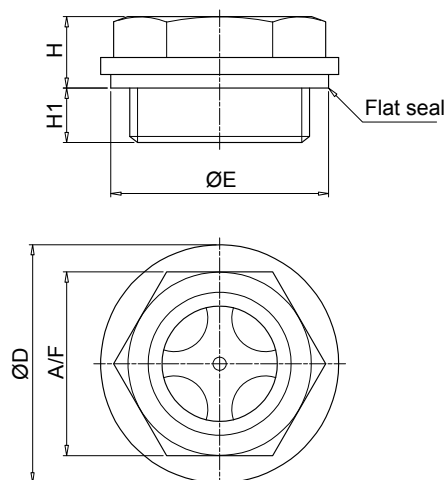


## Designation & Ordering code

### COMPLETE VISUAL OIL LEVEL INDICATOR

Series	Configuration example 1 :										Configuration example 2 :				Configuration example 3 :															
<b>LCP</b>	LCP	G26	N	S	B	S	P01	LCP	G42	T	S	A		P01	LCP	G20	M	C	A		P01									
Connections	Material:	N	T	M																										
<b>G13</b> G 1/4"		•	•																											
<b>G16</b> G 3/8"		•	•																											
<b>G20</b> G 1/2"		•	•	•																										
<b>G26</b> G 3/4"		•	•	•																										
<b>G33</b> G 1"		•	•	•																										
<b>G42</b> G 1 1/4"		•	•																											
<b>G48</b> G 1 1/2"		•																												
<b>G60</b> G 2"		•																												
Material																														
<b>N</b> Black Polyamide	<b>T</b> Transparent polyamide	<b>M</b> Aluminium																												
Contrast baffle	Material:	N								T				M																
<b>S</b> Without contrast baffle	Connection:	G13	G16	G20	G26	G33	G42	G48	G60	G13	G16	G20	G26	G33	G42	M														
<b>C</b> With contrast baffle		•	•	•	•	•	•	•	•	•	•	•	•	•	•	•														
Seals	Material:	N						T				M																		
<b>A</b> NBR	Expansion kit:		S	K							•		•																	
<b>B</b> Inorganic fiber			•																											
Special fixing kit	Material:	N								T				M																
<b>S</b> Without special fixing kit	Connection:	G13	G16	G20	G26	G33	G42	G48	G60																					
<b>K</b> With special fixing kit		•	•	•	•	•	•	•	•																					
																	Execution													
																	<b>P01</b> MP Filtri standard													
																	<b>Pxx</b> Customized													

### LCP - N



#### without expansion kit

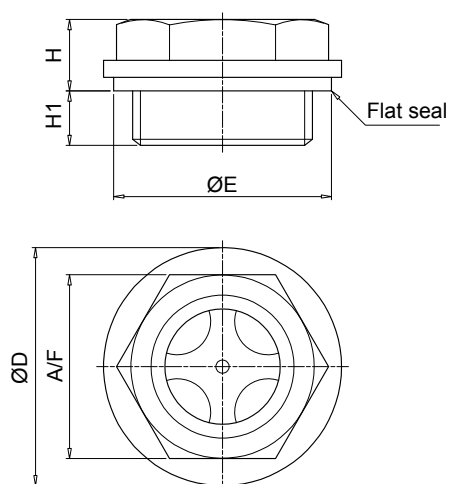
Connections	ØD [mm]	ØE [mm]	A/F [mm]	H [mm]	H1 [mm]
<b>G13</b>	20	18.5	17	9	7
<b>G16</b>	22	21.5	18	10	7
<b>G20</b>	28	26	22	10	7
<b>G26</b>	35	32	27	10.5	8
<b>G33</b>	42	41	34	13.5	10.5
<b>G42</b>	52	51	42	14	11
<b>G48</b>	58	53.5	47	16	11
<b>G60</b>	74	72	64	16	18

#### with expansion kit

Connections	ØD [mm]	ØE [mm]	A/F [mm]	H [mm]	H1 [mm]
<b>G20</b>	28	26	22	9	8
<b>G26</b>	35	30	27	10	8.5
<b>G33</b>	42	40	34	13	11
<b>G42</b>	52	50	42	13.5	11.5
<b>G48</b>	58	55	47	15.5	11.5

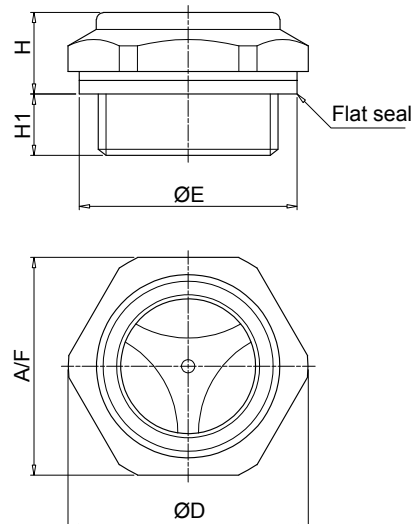
**Note:** for installation onto OB Cleaning covers see page 147

### LCP - T



Connections	ØD [mm]	ØE [mm]	A/F [mm]	H [mm]	H1 [mm]
<b>G13</b>	20	18.5	15	6.5	5
<b>G16</b>	22	21.5	17	7	5.5
<b>G20</b>	28	26	21	8	6
<b>G26</b>	33	32	26	8.5	7
<b>G33</b>	41	41	32	9	8
<b>G42</b>	52	51	42	14	11

### LCP - M



Connections	ØD [mm]	ØE [mm]	A/F [mm]	H [mm]	H1 [mm]
<b>G20</b>	29.5	26	27	11	7
<b>G26</b>	35.5	32	32	12	9
<b>G33</b>	44.5	41	40	13	8

**Note:** for installation onto OB Cleaning covers see page 147

## Technical data

### Visual Oil Level Indicators

#### Visual oil level indicator - round shape

LCC is a range of plastic compact fluid level indicators, usually called spy eyes, for monitoring of the fluid level into the tank. They are directly fitted on the tank side.

The special shape of the screen allows the monitoring of the fluid level from every position.

#### Available features:

- Male threaded connections up to G 2"
- Expansion kit, for reliable sealing even in tanks with thin walls

#### Common applications:

- Hydraulic systems
- Mobile machines
- Industrial equipment

### N Series

#### Weight

LCCG26	7 g
LCCG42	20 g
LCCG60	40 g

#### Materials

- Body: Polyamide
- Lens: Polyamide
- Contrast screen: Polyamide
- Seals: Inorganic fibre, NBR
- Expansion kit: Brass / NBR

### T Series

#### Weight

LCCG16	2 g
LCCG20	4 g
LCCG33	9 g

#### Materials

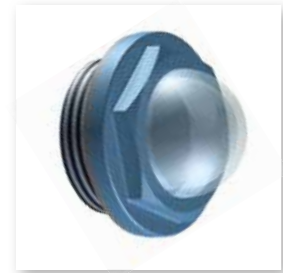
- Body: Polyamide
- Seals: NBR

### Temperature

From -20 °C to + 80 °C

### Quantity

25 pcs/pack



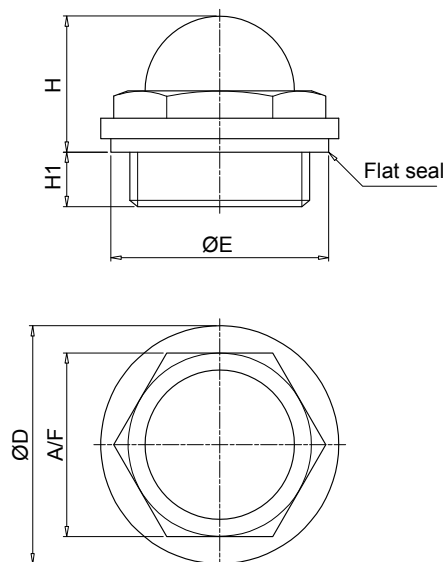
## Designation & Ordering code

### COMPLETE VISUAL OIL LEVEL INDICATORS

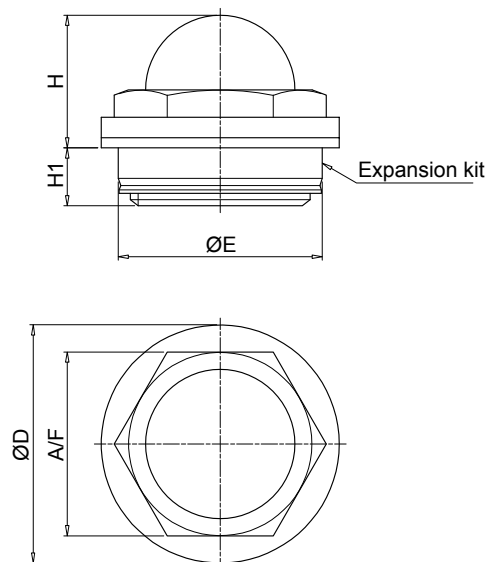
Series	Configuration example 1 :						
<b>LCC</b>	LCC	G20	N	A	K	P01	
	Configuration example 2 :						
	LCC	G33	T	A		P01	
Connections	Material:	N	T				
<b>G13</b> G 1/4"							
<b>G16</b> G 3/8"			•				
<b>G20</b> G 1/2"		•	•				
<b>G26</b> G 3/4"		•	•				
<b>G33</b> G 1"		•	•				
<b>G42</b> G 1 1/4"		•					
<b>G48</b> G 1 1/2"		•					
<b>G60</b> G 2"		•					
Material							
<b>N</b> Black polyamide		<b>T</b> Transparent polyamide					
Seals	Material:	N		T			
<b>A</b> NBR			•	•			
<b>B</b> Inorganic fiber		•					
Expansion kit	Material:	N					T
<b>S</b> Without expansion kit	Connection:	G20	G26	G33	G42	G48	G60
<b>K</b> With expansion kit		•	•	•	•	•	•
		•	•	•	•	•	
Execution							
<b>P01</b>	MP Filtri standard						
<b>Pxx</b>	Customized						

### LCC - N

without expansion kit



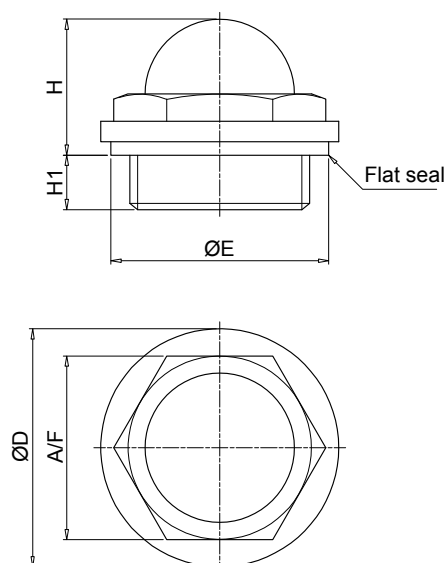
with expansion kit



Connections	ØD [mm]	ØE [mm]	A/F [mm]	H [mm]	H1 [mm]
<b>G20</b>	28	26	22	17.5	17.5
<b>G26</b>	35	32	27	20	8
<b>G33</b>	42	41	34	24	10
<b>G42</b>	52	51	44	30	11
<b>G48</b>	58	53.5	50	33	11.5
<b>G60</b>	74	72	64	39	18

Connections	ØD [mm]	ØE [mm]	A/F [mm]	H [mm]	H1 [mm]
<b>G20</b>	28	26	22	16.5	8.5
<b>G26</b>	35	30	27	19.5	8.5
<b>G33</b>	42	40	34	23.5	10.5
<b>G42</b>	52	50	44	29.5	11.5
<b>G48</b>	58	55	50	32.5	12

### LCC - T



Connections	ØD [mm]	ØE [mm]	A/F [mm]	H [mm]	H1 [mm]
<b>G13</b>	19	18.5	15	12.5	5
<b>G16</b>	21.5	21.5	17	14	5.5
<b>G20</b>	27	26	21	16.5	6
<b>G26</b>	33	32	26	19	7
<b>G33</b>	40	41	32	22.5	8