

LMP 400-401 & 430-431 series

Maximum working pressure up to 6 MPa (60 bar) - Flow rate up to 780 l/min



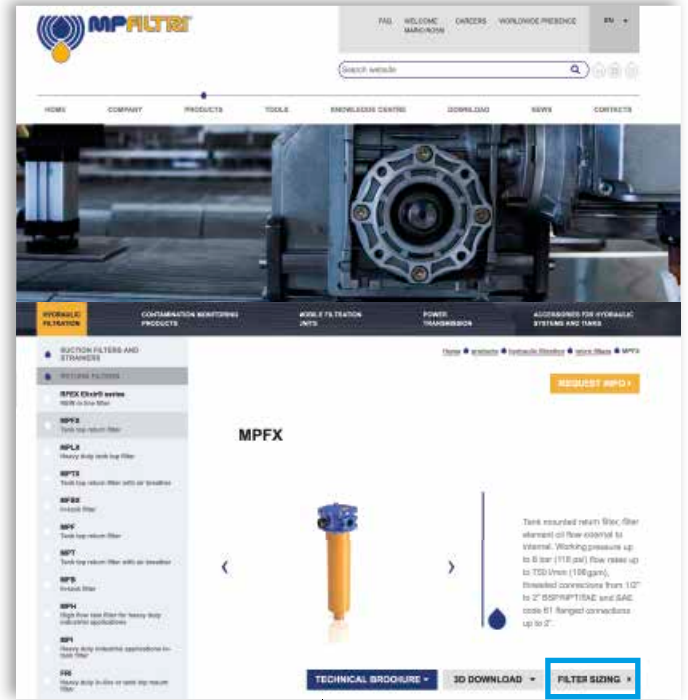
TYPICAL FILTER SIZING Selection Software

Step ①

Select "FILTER SIZING SOFTWARE" after login

OR

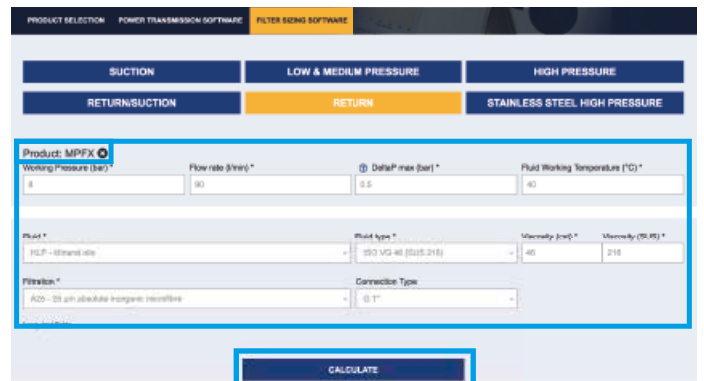
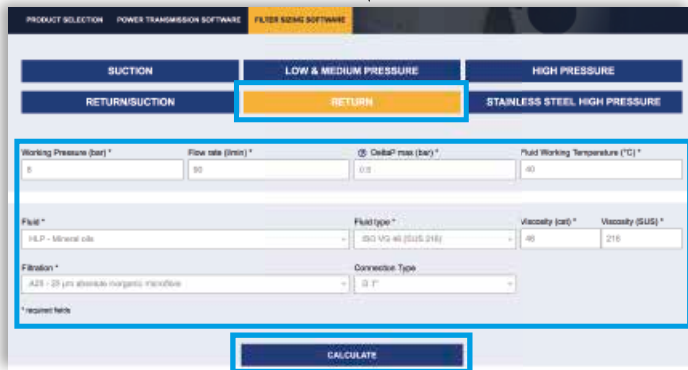
Select "FILTER SIZING" after login from a product page



Choose the type of filter family.
Enter the main data for sizing the filter
then push CALCULATE.

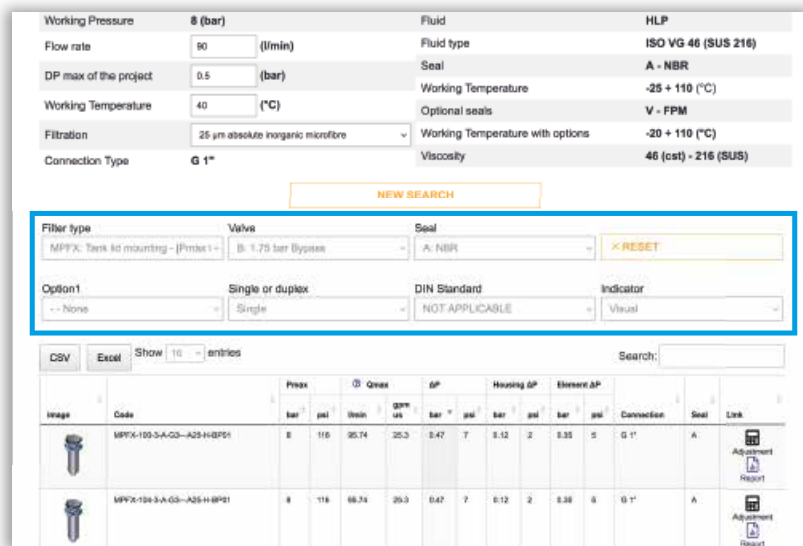
Step ②

Enter the main data for sizing the filter
then push CALCULATE.



Step ③

Select the desired options to choose the appropriate filter type for the application.



Step 4

Choose the most suitable filter from the proposed list.

Image	Code	Peak bar	Qmax gal/min	ΔP bar	Housing ΔP bar	Element ΔP bar	Connection	Seal	Link					
	MPFX-103-3-A-Q3-A25-H-BPFI	8	116	25.74	25.3	0.47	T	0.12	2	0.33	5	G 1"	A	Adjustment Report
	MPFX-104-3-A-Q3-A25-H-BPFI	8	116	25.74	25.3	0.47	T	0.12	2	0.33	5	G 1"	A	Adjustment Report

Step 5

It is possible to change the filter modifying every parameter.



A SAVE YOUR FILTER'S REPORT



B MANUAL EDIT



SAVE IN YOUR ARCHIVE
typing your reference data and then SAVE AS PDF



A new browser window displays the pdf

see **A**

Close the report window



By clicking your WELCOME button, the SHOW REPORTS is displayed: select it to see your filters list.

Description

Technical data

Low & Medium Pressure filters

Maximum working pressure up to 6 MPa (60 bar)
Flow rate up to 780 l/min

LMP400 is a range of low pressure filter with large filtration surface mainly suitable for lubrication, off-line filtration of the reservoirs and filtration equipment.

They are directly connected to the lines of the system through the hydraulic fittings.

Available features:

- Female threaded connections up to 2" and flanged connections up to 2 1/2", for a maximum flow rate of 780 l/min
- In line or 90° connections, to meet any type of application
- Base-mounting design also available, for ease of the replacement of the filter element
- Fine filtration rating, to get a good cleanliness level into the system
- Water removal elements, to remove the free water from the hydraulic fluid. For further information, see the Contamination Management document and the dedicate leaflet.
- Bypass valve, to relieve excessive pressure drop across the filter media
- Vent ports, to avoid air trapped into the filter going into the system
- Drain ports, to remove the fluid from the housing prior the maintenance work
- Visual, electrical and electronic differential clogging indicators

Common applications:

- Off-line filtration of reservoirs
- Filtration systems

Filter housing materials

- Head: Anodized Aluminium
- Housing: Anodized Aluminium
- Bypass valve: Steel

Pressure LMP 400 length 2 - 3 - 4

- Working pressure: 6 MPa (60 bar)
- Test pressure: 9 MPa (90 bar)
- Burst pressure: 21 MPa (210 bar)
- Pulse pressure fatigue test: 1 000 000 cycles with pressure from 0 to 6 MPa (60 bar)

Pressure LMP 400 length 5 - 6

- Working pressure: 5 MPa (50 bar)
- Test pressure: 7.5 MPa (75 bar)
- Burst pressure: 15 MPa (150 bar)
- Pulse pressure fatigue test: 1 000 000 cycles with pressure from 0 to 5 MPa (50 bar)

Bypass valve

- Opening pressure 350 kPa (3.5 bar) ±10%
- Other opening pressures on request.

Δp element type

- Microfibre filter elements - series N - W: 20 bar
- Fluid flow through the filter element from OUT to IN

Seals

- Standard NBR series A
- Optional FPM series V

Temperature

From -25 °C to +110 °C

Connections

LMP 400 - 430: In-line Inlet/Outlet
 LMP 401 - 431: 90° Inlet/Outlet

Note

LMP 400 filters are provided for vertical mounting

Weights [kg] and volumes [dm³]

Filter series	Weights [kg]					Volumes [dm ³]						
	Length	2	3	4	5	6	Length	2	3	4	5	6
LMP 400-401 & 430-431		7.20	8.10	8.80	11.90	14.40		3.50	5.00	6.50	9.50	13.50

Filter series	Length	Filter element design - N Series							
		A03	A06	A10	A16	A25	M25 M60 M90	P10	P25
LMP 400	2	205	244	370	411	515	720	524	556
	3	280	333	474	515	602	760	637	660
	4	347	400	535	564	637	769	660	688
	5	459	501	610	660	717	781	700	721
	6	504	575	676	689	728	783	708	727
LMP 401	2	200	236	347	382	468	628	475	501
	3	268	315	434	468	537	659	565	582
	4	328	373	484	507	565	665	582	603
	5	423	456	544	582	626	674	613	629
	6	459	516	594	604	634	676	619	633
LMP 430	5	459	501	610	660	717	781	700	721
	6	504	575	676	689	728	783	708	727
LMP 431	5	423	456	544	582	626	674	613	629
	6	459	516	594	604	634	676	619	633

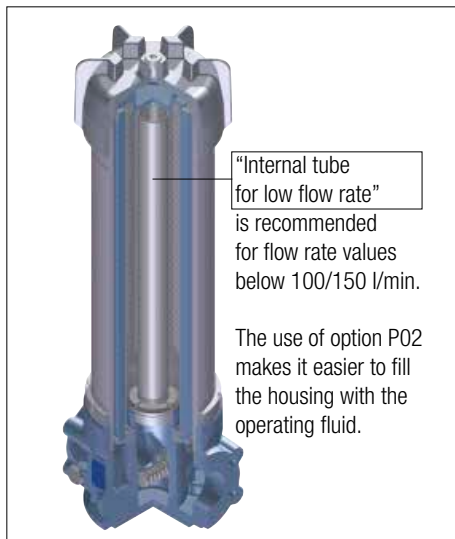
Maximum flow rate for a complete low and medium pressure filter with a pressure drop $\Delta p = 0.7$ bar.

The reference fluid has a kinematic viscosity of 30 mm²/s (cSt) and a density of 0.86 kg/dm³.

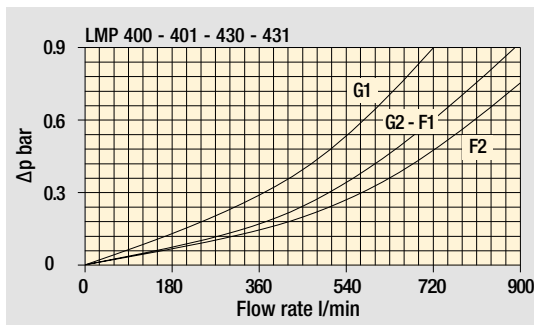
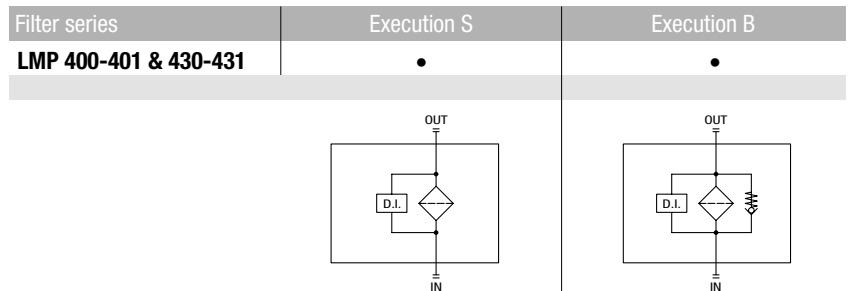
For different pressure drop or fluid viscosity we recommend to use our selection software available on www.mpfiltri.com.

You can also calculate the right size using the formulas present on the FILTER SIZING paragraph at the beginning of the full catalogue or at the beginning of the filter family brochure. Please, contact our Sales Department for further additional information.

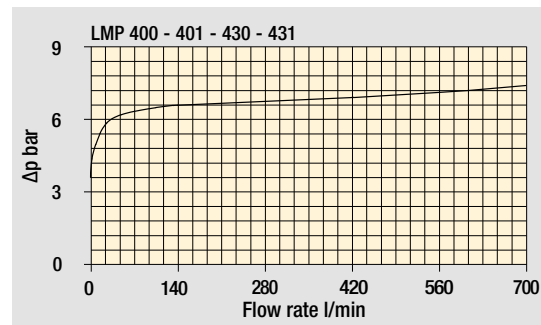
LMP 430-431: execution P02



Hydraulic symbols



Filter housings Δp pressure drop



Pressure drop

Bypass valve pressure drop

The curves are plotted using mineral oil with density of 0.86 kg/dm³ in compliance with ISO 3968. Δp varies proportionally with density.

LMP 400-401

Designation & Ordering code

COMPLETE FILTER

Series and size **LMP400 | LMP401** Configuration example: **LMP401** **3** **B** **A** **G1** **A10** **N** **P01**

Length **2** | **3** | **4** | **5** | **6**

Bypass valve **S** Without bypass **B** With bypass 3.5 bar

Seals and treatments	Filtration rating		
	Axx	Mxx	Pxx
A NBR	•	•	•
V FPM	•	•	•
W NBR compatible with fluids HFA-HFB-HFC	•	•	-

Connections

G1 G 1 1/2"	F1 2" SAE 3000 psi/M
G2 G 2"	F2 2 1/2" SAE 3000 psi/M
G3 1 1/2" NPT	F3 2" SAE 3000 psi/UNC
G4 2" NPT	F4 2 1/2" SAE 3000 psi/UNC
G5 SAE 24 - 1 7/8" - 12 UN	
G6 SAE 32 - 2 1/2" - 12 UN	

Filtration rating (filter media)	
A03 Inorganic microfiber 3 µm	M25 Wire mesh 25 µm
A06 Inorganic microfiber 6 µm	M60 Wire mesh 60 µm
A10 Inorganic microfiber 10 µm	M90 Wire mesh 90 µm
A16 Inorganic microfiber 16 µm	P10 Resin impregnated paper 10 µm
A25 Inorganic microfiber 25 µm	P25 Resin impregnated paper 25 µm
WA025 Water absorber inorganic microfiber 25 µm	

Element Δp	Execution					
	Filter length					
N 20 bar	P01 MP Filtri standard	•	•	•	•	•
	P02 Maintenance from the bottom of the housing				•	•
	Pxx Customized					

FILTER ELEMENT

Element series and size **CU400** Configuration example: **CU400** **3** **A10** **A** **N** **P01**

Element length **2** | **3** | **4** | **5** | **6**

Filtration rating (filter media)	Filtration rating		
	Axx	Mxx	Pxx
A03 Inorganic microfiber 3 µm	•	•	•
A06 Inorganic microfiber 6 µm	•	•	•
A10 Inorganic microfiber 10 µm	•	•	•
A16 Inorganic microfiber 16 µm	•	•	•
A25 Inorganic microfiber 25 µm	•	•	-
WA025 Water absorber inorganic microfiber 25 µm			

Element Δp	Execution					
	Filter length					
N 20 bar	P01 MP Filtri standard	•	•	•	•	•
	Pxx Customized					

CLOGGING INDICATORS

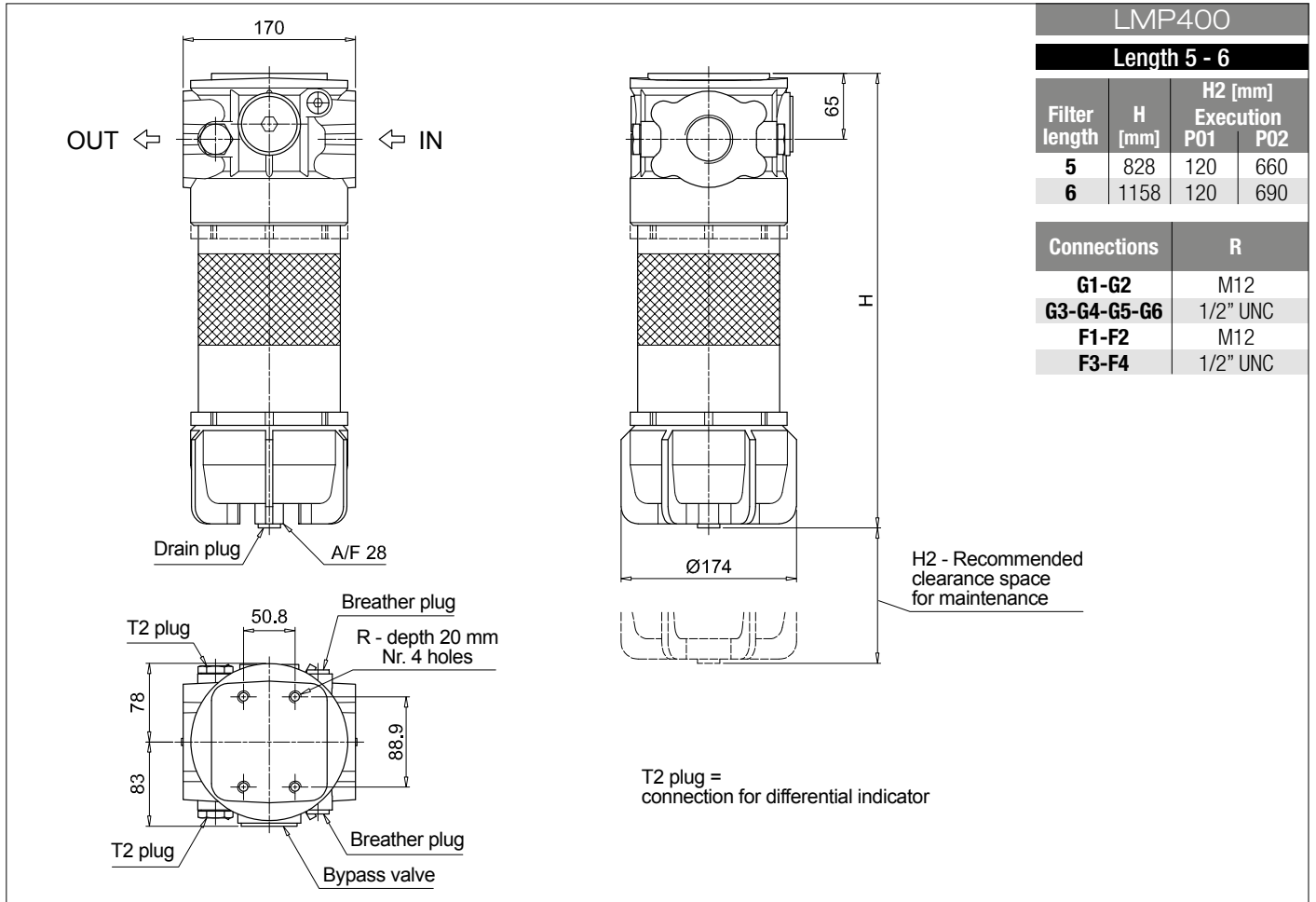
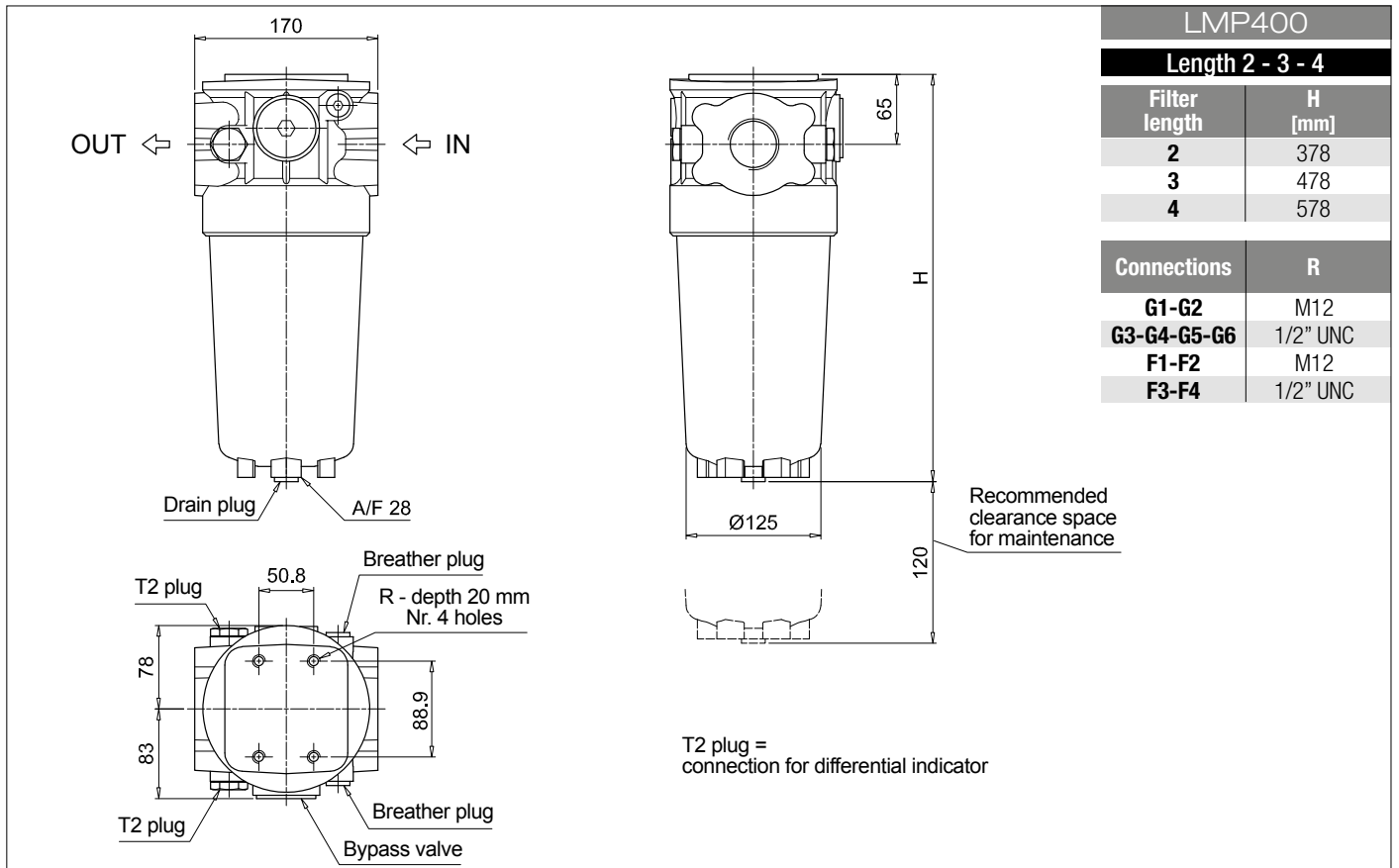
See page 478

DEA Electrical differential indicator
DEM Electrical differential indicator
DLA Electrical / visual differential indicator
DLE Electrical / visual differential indicator

DTA Electronic differential indicator
DVA Visual differential indicator
DVM Visual differential indicator
T2 Plug

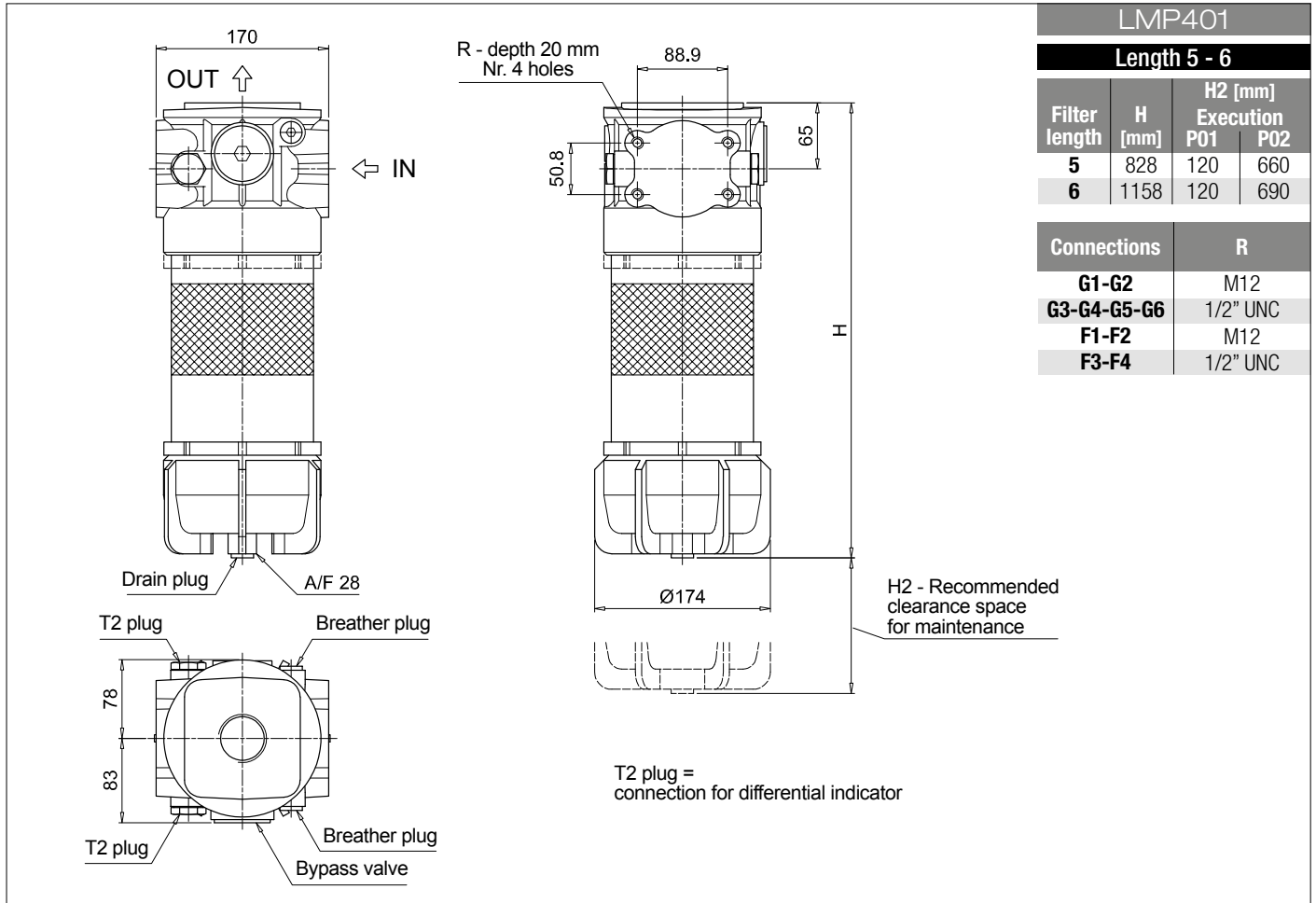
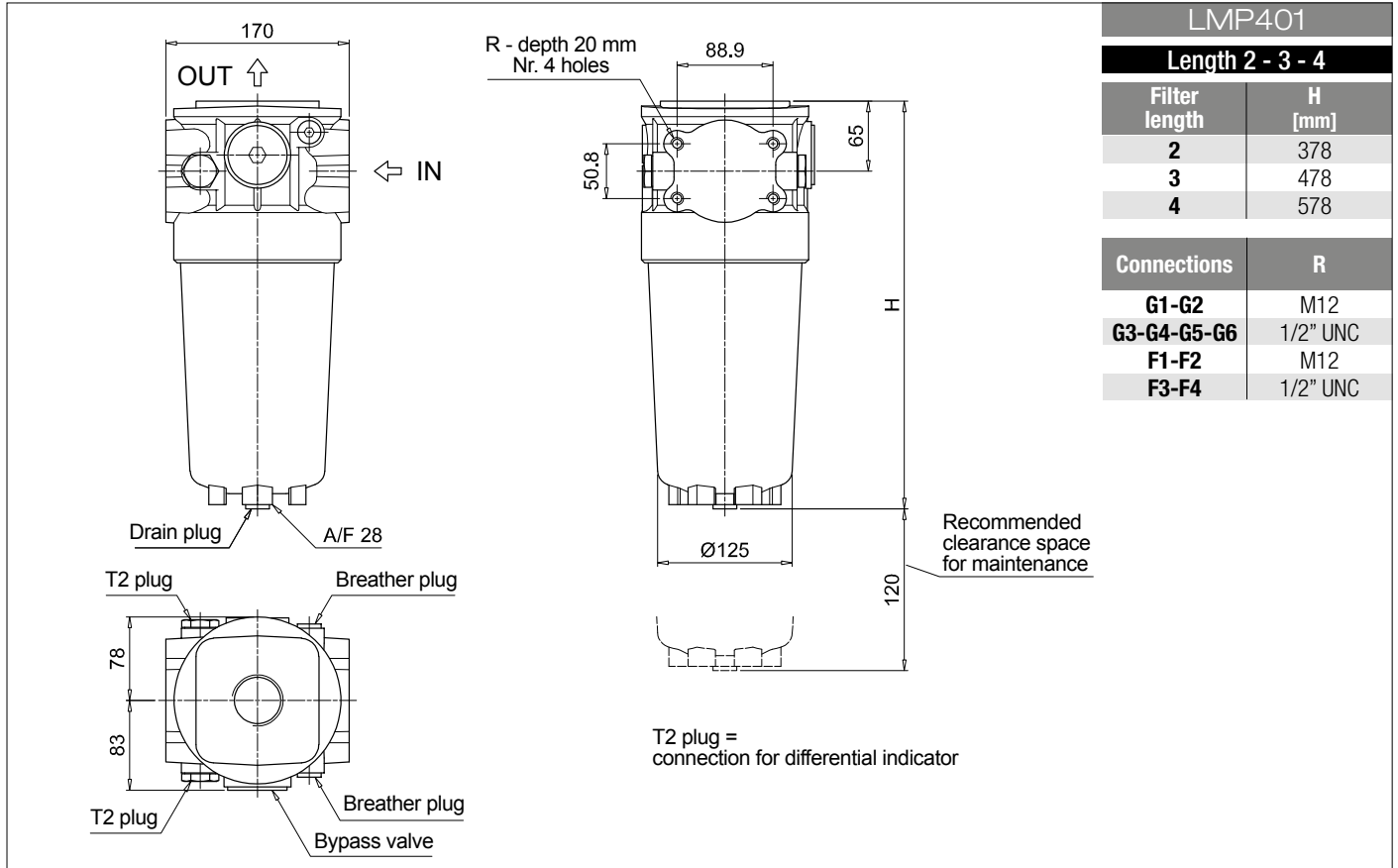
LMP 400-401

Dimensions



LMP 400-401

Dimensions



LMP 430-431

Designation & Ordering code

COMPLETE FILTER

Series and size		Configuration example: LMP431 5 B A G1 A10 N P01									
LMP430 LMP431											
Length											
5 6											
Bypass valve											
S Without bypass		B With bypass 3.5 bar									
Seals and treatments		Filtration rating									
		Axx	Mxx	Pxx							
A NBR		•	•	•							
V FPM		•	•	•							
W NBR compatible with fluids HFA-HFB-HFC		•	•	-							
Connections											
G1 G 1 1/2"		F1 2" SAE 3000 psi/M									
G2 G 2"		F2 2 1/2" SAE 3000 psi/M									
G3 1 1/2" NPT		F3 2" SAE 3000 psi/UNC									
G4 2" NPT		F4 2 1/2" SAE 3000 psi/UNC									
G5 SAE 24 - 1 7/8" - 12 UN											
G6 SAE 32 - 2 1/2" - 12 UN											
Filtration rating (filter media)											
A03 Inorganic microfiber 3 µm		M25 Wire mesh 25 µm									
A06 Inorganic microfiber 6 µm		M60 Wire mesh 60 µm									
A10 Inorganic microfiber 10 µm		M90 Wire mesh 90 µm									
A16 Inorganic microfiber 16 µm		P10 Resin impregnated paper 10 µm									
A25 Inorganic microfiber 25 µm		P25 Resin impregnated paper 25 µm									
WA025 Water absorber inorganic microfiber 25 µm											
		Element Δp		Execution							
		N 20 bar		P01 MP Filtri standard							
				P02 With internal tube for low flow rate							
				Pxx Customized							

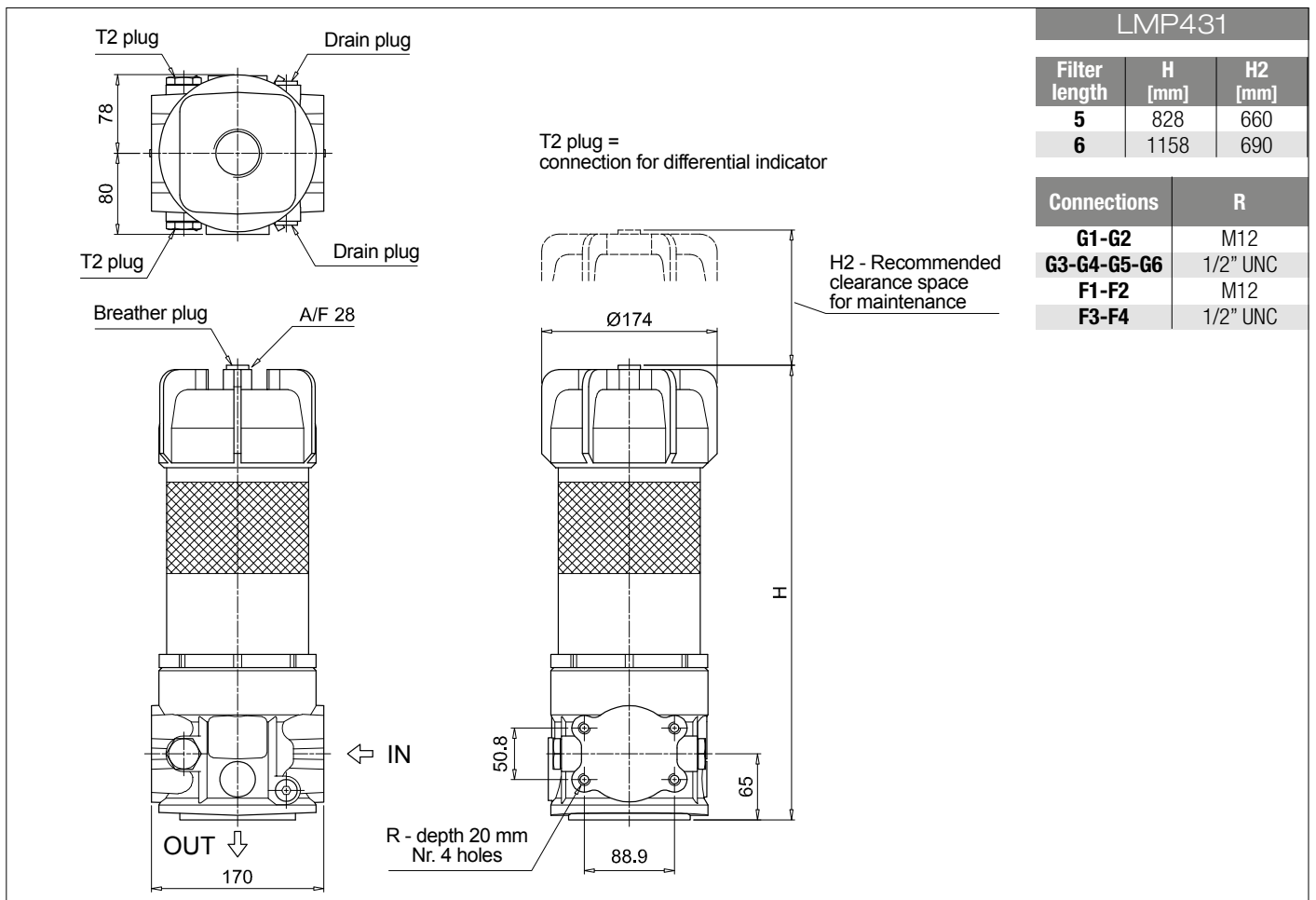
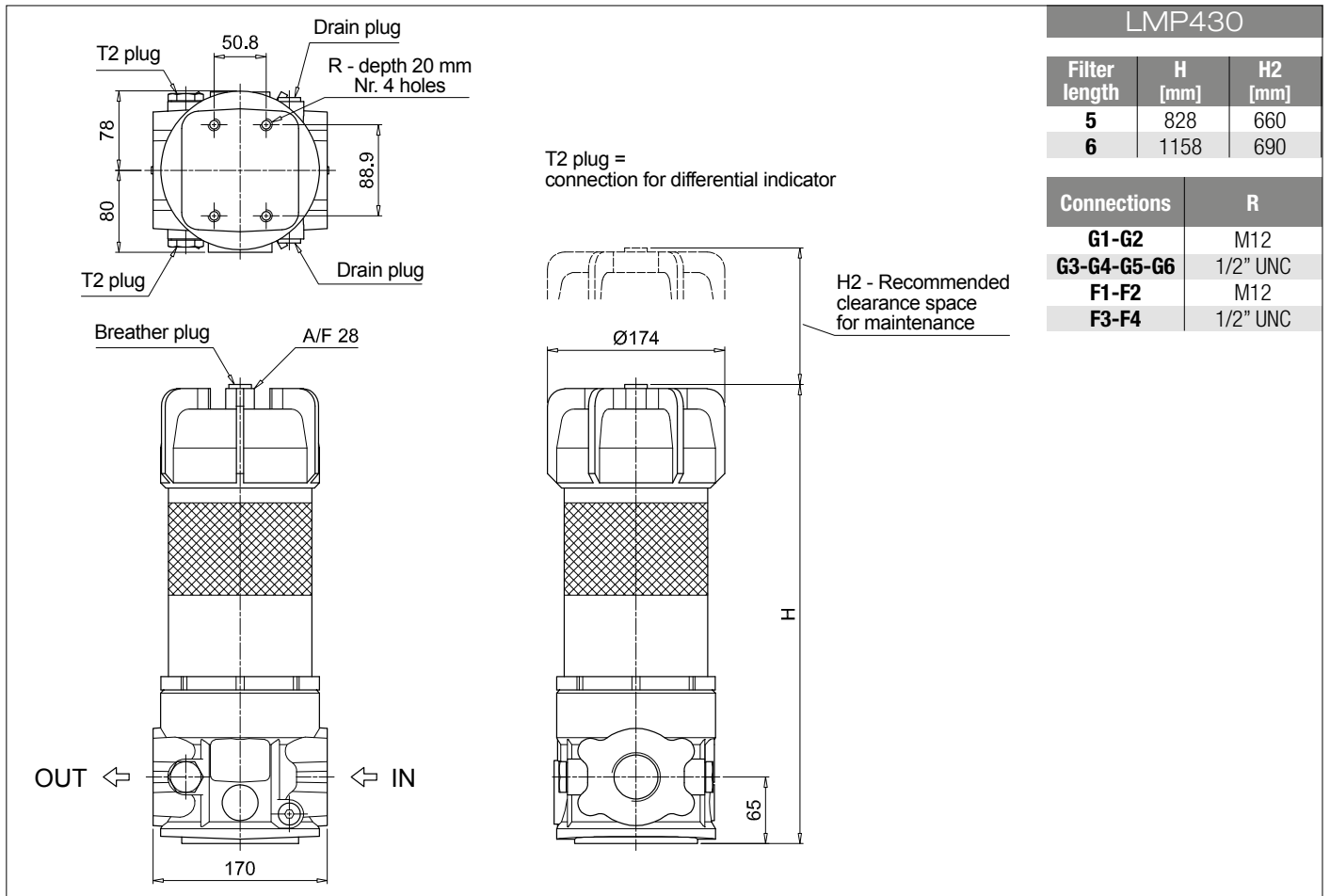
FILTER ELEMENT

Element series and size		Configuration example: CU400 5 A10 A N P01									
CU400											
Element length											
5 6											
Filtration rating (filter media)											
A03 Inorganic microfiber 3 µm		M25 Wire mesh 25 µm									
A06 Inorganic microfiber 6 µm		M60 Wire mesh 60 µm									
A10 Inorganic microfiber 10 µm		M90 Wire mesh 90 µm									
A16 Inorganic microfiber 16 µm		P10 Resin impregnated paper 10 µm									
A25 Inorganic microfiber 25 µm		P25 Resin impregnated paper 25 µm									
WA025 Water absorber inorganic microfiber 25 µm											
Seals		Filtration rating									
		Axx	Mxx	Pxx							
A NBR		•	•	•							
V FPM		•	•	•							
W NBR compatible with fluids HFA-HFB-HFC		•	•	-							
		Element Δp		Execution							
		N 20 bar		P01 MP Filtri standard							
				Pxx Customized							

CLOGGING INDICATORS

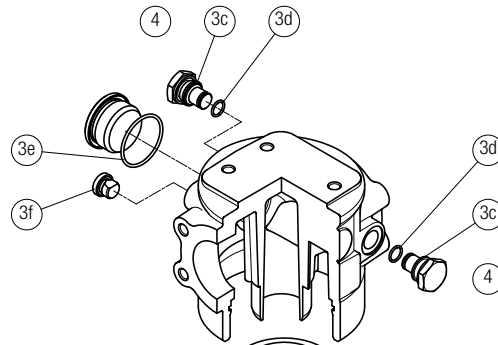
See page 478

DEA Electrical differential indicator	DTA Electronic differential indicator
DEM Electrical differential indicator	DVA Visual differential indicator
DLA Electrical / visual differential indicator	DVM Visual differential indicator
DLE Electrical / visual differential indicator	T2 Plug

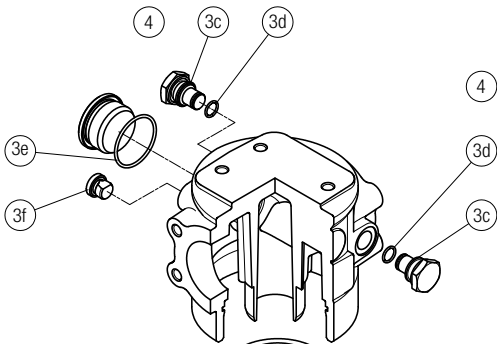


Order number for spare parts

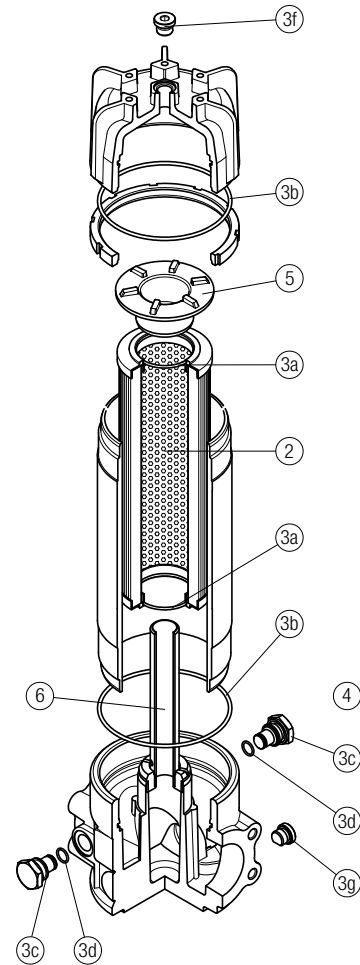
LMP 400 - 401
length 2 - 3 - 4



LMP 400 - 401
length 5 - 6



LMP 430 - 431
length 5 - 6



Q.ty: 1 pc.

Q.ty: 1 pc.

Q.ty: 2 pcs.

Q.ty: 2 pcs.

Q.ty: 1 pc.

Item:	2	3 (3a ÷ 3g)		4		5		6	
Filter series	Filter element	Seal Kit code number NBR	FPM	Indicator connection plug NBR	FPM	Housing spigot no bypass	with bypass	Internal tube for low flow rate, execution P02	
LMP 400-401 length 2-3-4	See order table	02050391	02050392						
LMP 400-401 length 5-6		02050393	02050394	T2H	T2V	01044108			
LMP 430-431 length 5-6		02050393	02050394			01044108	02001414	Length 5: 02025041	Length 6: 02025042

Clogging indicators

Introduction

Filter elements are efficient only if their Dirt Holding Capacity is fully exploited. This is achieved by using filter housings equipped with clogging indicators.

These devices trip when the clogging of the filter element causes an increase in pressure drop across the filter element.

The indicator is set to alarm before the element becomes fully clogged.

MP Filtri can supply indicators of the following designs:

- Vacuum switches and gauges
- Pressure switches and gauges
- Differential pressure indicators

These type of devices can be provided with a visual, electrical or both signals.

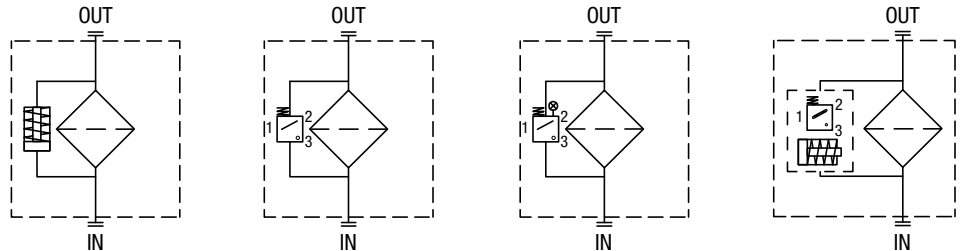
Suitable indicator types

DIFFERENTIAL INDICATORS

Differential indicators are used on the Pressure line to check the efficiency of the filter element. They measure the pressure upstream and downstream of the filter element (differential pressure).

Standard items are produced with special connection G 1/2" size.

Also available in Stainless Steel models.



Quick reference guide

Filter family	Filter series	Visual indicators	Electrical indicators	Electrical / Visual indicators
LOW & MEDIUM PRESSURE FILTERS	ELIXIR® LFEX060-080-110-160	DVS25HP01	DES25HA10P01 DES25HA30P01 DES25HA80P01	
	With bypass valve 3.5 bar LMP 110 - 112 - 116 - 118 - 119 MULTIPORT LMP 120 - 122 - 123 MULTIPORT LMP 210 - 211 - LDP LMP 400 - 401 & 430 - 431 LMP 900 - 901 LMP 902 - 903 LMP 950 - 951 LMP 952 - 953 - 954 LMD 211 - 400 - 401 - 431 - 951 - LDD	DVA20xP01 DVM20xP01	DEA20xA50P01 DEM20XX10P01 DEM20XX20P01 DEM20XX30P01 DEM20XX35P01 DTA20xF70P01	DLA20xA51P01 DLA20xA52P01 DLA20xA71P01 DLE20xA50P01 DLE20xF50P01
	ELIXIR® LFEX060-080-110-160	DVS40HP01	DES40HA10P01 DES40HA30P01 DES40HA80P01	
	Without bypass valve LMP 110 - 112 - 116 - 118 - 119 MULTIPORT LMP 120 - 122 - 123 MULTIPORT LMP 210 - 211 - LDP LMP 400 - 401 & 430 - 431 LMP 900 - 901 LMP 902 - 903 LMP 950 - 951 LMP 952 - 953 - 954 LMD 211 - 400 - 401 - 431 - 951 - LDD	DVA50xP01 DVM50xP01	DEA50xA50P01 DEM50XX10P01 DEM50XX20P01 DEM50XX30P01 DEM50XX35P01 DTA50xF70P01	DLA50xA51P01 DLA50xA52P01 DLA50xA71P01 DLE50xA50P01 DLE50xF50P01

DEA*50	
Electrical Differential Indicator	
Settings	Ordering code
2.0 bar $\pm 10\%$	DE A 20 x A 50 P01
5.0 bar $\pm 10\%$	DE A 50 x A 50 P01

Hydraulic symbol

Electrical symbol

Materials

- Body: Brass
- Base: Black polyamide
- Contacts: Silver
- Seal: HNBR - FPM

Technical data

- Max working pressure: 420 bar
- Proof pressure: 630 bar
- Burst pressure: 1260 bar
- Working temperature: From -25 °C to +110 °C
- Compatibility with fluids: Mineral oils, Synthetic fluids
HFA, HFB, HFC according to ISO 2943
- Degree protection: IP66 according to EN 60529
IP69K according to ISO 20653

Electrical data

- Electrical connection: EN 175301-803
- Resistive load: 0.2 A / 115 Vdc

DEM*10	
Electrical Differential Indicator	
Settings	Ordering code
2.0 bar $\pm 10\%$	DE M 20 x x 10 P01
5.0 bar $\pm 10\%$	DE M 50 x x 10 P01

Hydraulic symbol

Electrical symbol

Materials

- Body: Brass
- Base: Black polyamide
- Contacts: Silver
- Seal: HNBR - FPM

Technical data

- Max working pressure: 420 bar
- Proof pressure: 630 bar
- Burst pressure: 1260 bar
- Working temperature: From -25 °C to +110 °C
- Compatibility with fluids: Mineral oils, Synthetic fluids
HFA, HFB, HFC according to ISO 2943
- Degree protection: IP66 according to EN 60529

Electrical data

- Electrical connection: AMP Superseal series 1.5
- Resistive load: 0.2 A / 115 Vdc
- Switching type: Normally open contacts (NC on request)
- Thermal lockout: Normally open up to 30 °C (option "F")

DEM*20	
Electrical Differential Indicator	
Settings	Ordering code
2.0 bar $\pm 10\%$	DE M 20 x x 20 P01
5.0 bar $\pm 10\%$	DE M 50 x x 20 P01

Hydraulic symbol

Electrical symbol

Materials

- Body: Brass
- Base: Black polyamide
- Contacts: Silver
- Seal: HNBR - FPM

Technical data

- Max working pressure: 420 bar
- Proof pressure: 630 bar
- Burst pressure: 1260 bar
- Working temperature: From -25 °C to +110 °C
- Compatibility with fluids: Mineral oils, Synthetic fluids
HFA, HFB, HFC according to ISO 2943
- Degree protection: IP66 according to EN 60529

Electrical data

- Electrical connection: AMP Time junior
- Resistive load: 0.2 A / 115 Vdc
- Switching type: Normally open contacts (NC on request)
- Thermal lockout: Normally open up to 30 °C (option "F")

DIFFERENTIAL INDICATORS

Dimensions

DEM*30	
Electrical Differential Indicator	
Settings	Ordering code
2.0 bar ±10%	DE M 20 x x 30 P01
5.0 bar ±10%	DE M 50 x x 30 P01

A/F 28
Max tightening torque: 65 N·m

Hydraulic symbol

Electrical symbol

Materials

- Body: Brass
- Base: Black polyamide
- Contacts: Silver
- Seal: HNBR - FPM

Technical data

- Max working pressure: 420 bar
- Proof pressure: 630 bar
- Burst pressure: 1260 bar
- Working temperature: From -25 °C to +110 °C
- Compatibility with fluids: Mineral oils, Synthetic fluids
HFA, HFB, HFC according to ISO 2943
- Degree protection: IP66 according to EN 60529

Electrical data

- Electrical connection: Deutsch DT-04-2-P
- Resistive load: 0.2 A / 115 Vdc
- Switching type: Normally open contacts (NC on request)
- Thermal lockout: Normally open up to 30 °C (option "F")

DEM*35	
Electrical Differential Indicator	
Settings	Ordering code
2.0 bar ±10%	DE M 20 x x 35 P01
5.0 bar ±10%	DE M 50 x x 35 P01

A/F 28
Max tightening torque: 65 N·m

Hydraulic symbol

Electrical symbol

Materials

- Body: Brass
- Base: Black polyamide
- Contacts: Silver
- Seal: HNBR - FPM

Technical data

- Max working pressure: 420 bar
- Proof pressure: 630 bar
- Burst pressure: 1260 bar
- Working temperature: From -25 °C to +110 °C
- Compatibility with fluids: Mineral oils, Synthetic fluids
HFA, HFB, HFC according to ISO 2943
- Degree protection: IP66 according to EN 60529

Electrical data

- Electrical connection: Deutsch DT-04-3-P
- Resistive load: 0.2 A / 115 Vdc
- Switching type: SPDT contact
- Thermal lockout: Normally open up to 30 °C (option "F")

DES*10	
Electrical Differential Indicator	
Settings	Ordering code
2.5 bar ±10%	DE S 25 HA 10 P01
4.0 bar ±10%	DE S 40 HA 10 P01

A/F 19
Max tightening torque: 25 N·m

Hydraulic symbol

Electrical symbol

Materials

- Body: Brass
- Internal parts: Brass - Polyamide
- Contacts: Silver
- Seal: HNBR

Technical data

- Max working pressure: 16 bar
- Proof pressure: 24 bar
- Burst pressure: 48 bar
- Working temperature: From -25 °C to +110 °C
- Compatibility with fluids: Mineral oils, Synthetic fluids
HFA, HFB, HFC according to ISO 2943
- Degree protection: IP67 according to EN 60529

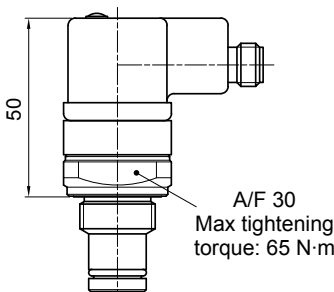
Electrical data

- Electrical connection: AMP Superseal series 1.5
- Resistive load: 0.2 A / 24 Vdc
- Switching type: Normally open contacts (NC on request)

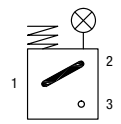
DIFFERENTIAL INDICATORS

Dimensions

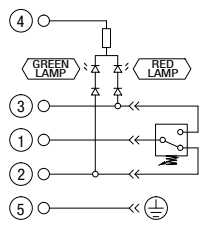
DLA*71	
Electrical/Visual Differential Indicator	
Settings	Ordering code
2.0 bar \pm 10%	DLA 20 x A 71 P01
5.0 bar \pm 10%	DLA 50 x A 71 P01



Hydraulic symbol



Electrical symbol



Materials

- Body: Brass
- Base: Black polyamide
- Contacts: Silver
- Seal: HNBR - FPM

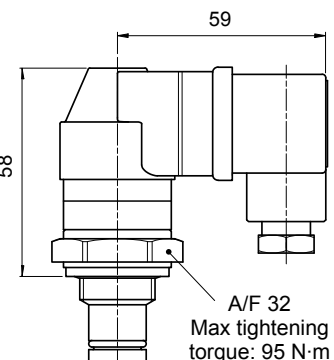
Technical data

- Max working pressure: 420 bar
- Proof pressure: 630 bar
- Burst pressure: 1260 bar
- Working temperature: From -25 °C to +110 °C
- Compatibility with fluids: Mineral oils, Synthetic fluids
HFA, HFB, HFC according to ISO 2943
- Degree protection: IP65 according to EN 60529
IP69K according to ISO 20653

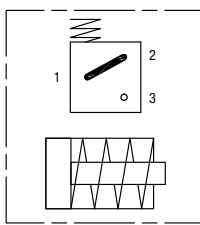
Electrical data

- Electrical connection: IEC 61076-2-101 D (M12)
- Lamps: 24 Vdc
- Resistive load: 0.4 A / 24 Vdc

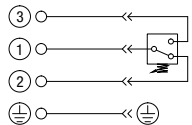
DLE*A50	
Electrical/Visual Differential Indicator	
Settings	Ordering code
2.0 bar \pm 10%	DL E 20 x A 50 P01
5.0 bar \pm 10%	DL E 50 x A 50 P01



Hydraulic symbol



Electrical symbol



Materials

- Body: Brass
- Base: Black polyamide
- Contacts: Silver
- Seal: HNBR - FPM

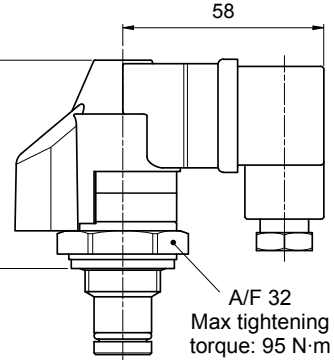
Technical data

- Max working pressure: 420 bar
- Proof pressure: 630 bar
- Burst pressure: 1260 bar
- Working temperature: From -25 °C to +110 °C
- Compatibility with fluids: Mineral oils, Synthetic fluids
HFA, HFB, HFC according to ISO 2943
- Degree protection: IP65 according to EN 60529

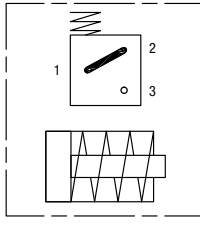
Electrical data

- Electrical connections: EN 175301-803
- Resistive load: 5 A / 250 Vac
- Available the connector with lamps

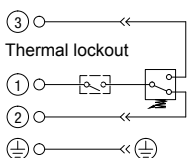
DLE*F50	
Electrical/Visual Differential Indicator	
Settings	Ordering code
2.0 bar \pm 10%	DL E 20 x F 50 P01
5.0 bar \pm 10%	DL E 50 x F 50 P01



Hydraulic symbol



Electrical symbol



Materials

- Body: Brass
- Base: Black polyamide
- Contacts: Silver
- Seal: HNBR - FPM

Technical data

- Max working pressure: 420 bar
- Proof pressure: 630 bar
- Burst pressure: 1260 bar
- Working temperature: From -25 °C to +110 °C
- Compatibility with fluids: Mineral oils, Synthetic fluids
HFA, HFB, HFC according to ISO 2943
- Degree protection: IP65 according to EN 60529

Electrical data

- Electrical connections: EN 175301-803
- Resistive load: 5 A / 250 Vac
- Thermal lockout setting: +30 °C

DTA*70	
Electronic Differential Indicator	
Settings	Ordering code
2.0 bar $\pm 10\%$	DT A 20 x x 70 P01
5.0 bar $\pm 10\%$	DT A 50 x x 70 P01

47

A/F 30
Max tightening torque: 50 N·m

Hydraulic symbol

Materials

- Body: Brass
- Internal parts: Brass - Polyamide
- Contacts: Silver
- Seal: HNBR - FPM

Technical data

- Max working pressure: 420 bar
- Proof pressure: 630 bar
- Burst pressure: 1260 bar
- Compatibility with fluids: Mineral oils, Synthetic fluids HFA, HFB, HFC according to ISO 2943
- Degree protection: IP67 according to EN 60529

Electrical data

- Electrical connection: IEC 61076-2-101 D (M12)
- Power supply: 24 Vdc
- Analogue output: From 4 to 20 mA
- Thermal lockout: 30 °C (all output signals stalled up to 30 °C)

Electrical symbol

①	○	○	+24 Vdc
②	○	○	4 ÷ 20 mA
③	○	○	75% - N.O. Digital output
④	○	○	100% - N.O. Digital output
⑤	○	○	0 Vdc

DVA	
Visual Differential Indicator	
Settings	Ordering code
2.0 bar $\pm 10\%$	DV A 20 x P01
5.0 bar $\pm 10\%$	DV A 50 x P01

39

Green / Red clogging indicator

A/F 28
Max tightening torque: 65 N·m

Hydraulic symbol

Materials

- Body: Brass
- Internal parts: Brass - Polyamide
- Contacts: Silver
- Seal: HNBR - FPM

Technical data

- Reset: Automatic reset
- Max working pressure: 420 bar
- Proof pressure: 630 bar
- Burst pressure: 1260 bar
- Working temperature: From -25 °C to +110 °C
- Compatibility with fluids: Mineral oils, Synthetic fluids HFA, HFB, HFC according to ISO 2943
- Degree protection: IP65 according to EN 60529

DVM	
Visual Differential Indicator	
Settings	Ordering code
2.0 bar $\pm 10\%$	DV M 20 x P01
5.0 bar $\pm 10\%$	DV M 50 x P01

34

Red clogging indicator

A/F 30
Max tightening torque: 65 N·m

Hydraulic symbol

Materials

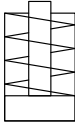
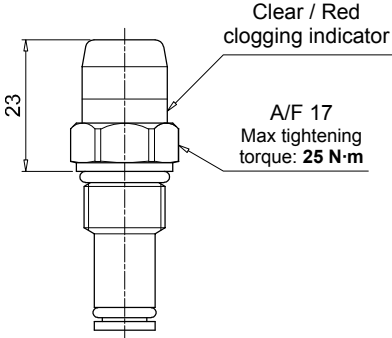
- Body: Brass
- Internal parts: Brass - Polyamide
- Contacts: Silver
- Seal: HNBR - FPM

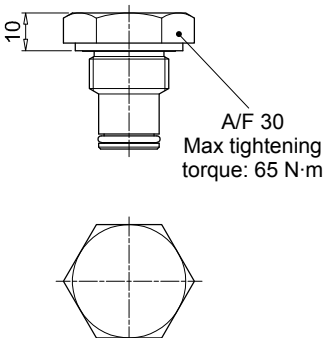
Technical data

- Reset: Manual reset
- Max working pressure: 420 bar
- Proof pressure: 630 bar
- Burst pressure: 1260 bar
- Working temperature: From -25 °C to +110 °C
- Compatibility with fluids: Mineral oils, Synthetic fluids HFA, HFB, HFC according to ISO 2943
- Degree protection: IP65 according to EN 60529

DIFFERENTIAL INDICATORS

Dimensions

DVS		Hydraulic symbol	Materials
Visual Differential Indicator			
Settings	Ordering code		Materials - Body: Brass - Internal parts: Brass - Polyamide - Contacts: Silver - Seal: HNBR
2.5 bar $\pm 10\%$	DV S 25 H P01		
4.0 bar $\pm 10\%$	DV S 40 H P01		
		Technical data - Reset: Automatic reset - Max working pressure: 16 bar - Proof pressure: 24 bar - Burst pressure: 48 bar - Working temperature: From -25 °C to +110 °C - Compatibility with fluids: Mineral oils, Synthetic fluids HFA, HFB, HFC according to ISO 2943 - Degree protection: IP67 according to EN 60529	

T2		Materials
Indicator plug		
Seal	Ordering code	Materials - Body: Phosphatized steel - Seal: HNBR / FPM
HNBR	T2 H	
FPM	T2 V	
		

DESIGNATION & ORDERING CODE - DIFFERENTIAL INDICATORS										
Series		Configuration example 1:								P01
DE Electrical differential indicator		DE	M	20	H	F	50			
DL Electrical/Visual differential indicator		Configuration example 2:								P01
		DL	E	50	V	A	71			
DT Electronic differential indicator		Configuration example 3:								P01
		DT	A	20	H	F	70			
DV Visual differential indicator		Configuration example 4:								P01
		DV	M	50	V					
Type	DE	DL	DT	DV						
A Standard type	•	•	•	A With automatic reset						
M With wired electrical connection	•	-	-	M With manual reset						
E For high power supply	-	•	-	S With automatic reset						
S Compact version	•	-	-							
Pressure setting										
20	2.0 bar									
25	2.5 bar									
40	4.0 bar									
50	5.0 bar									
Seals										
H	HNBR									
V	FPM									
Thermostat				DEA	DEM	DLA	DLE	DT	DV	
A	Without			•	•	•	•	-	-	
F	With thermostat			-	•	-	•	•	-	
Electrical connections				DEA	DEM	DLA	DLE	DT	DV	
10	Connection AMP Superseal series 1.5			-	•	-	-	-	-	
20	Connection AMP Timer Junior			-	•	-	-	-	-	
30	Connection Deutsch DT-04-2-P			-	•	-	-	-	-	
35	Connection Deutsch DT-04-3-P			-	•	-	-	-	-	
50	Connection EN 175301-803			•	-	-	•	-	-	
51	Connection EN 175301-803, transparent base with lamps 24 Vdc			-	-	•	-	-	-	
52	Connection EN 175301-803, transparent base with lamps 110 Vdc			-	-	•	-	-	-	
70	Connection IEC 61076-2-101 D (M12)			-	-	-	-	•	-	
71	Connection IEC 61076-2-101 D (M12), black base with lamps 24 Vdc			-	-	•	-	-	-	
Option										
P01	MP Filtri standard									
Pxx	Customized									

DESIGNATION & ORDERING CODE - DIFFERENTIAL INDICATOR PLUG				
Series		Configuration example	T2	H
T2	Indicator plug			
Seals				
H	HNBR			
V	FPM			