

LVK series

Electrical and visual oil level indicator



Technical data

Electrical Oil Level Indicators

LVK is a range of electrical and visual fluid level indicators for monitoring of the fluid level into the tank. They are directly fitted on the tank side. The float moves through the indicator housing while the fluid level changes.

Available features:

- Several male threaded connections
- Three different sizes, to meet every size of tank
- Thermometer, thermostat or PT100, to check the temperature of the fluid

Common applications:

- Hydraulic systems
- Mobile machines
- Industrial equipment

Electrical symbol:

see page. 118

Materials

- Head: Polyamide
- Screws: Nickel plated brass (standard), AISI 314 (optional)
- Seal: NBR (standard), FPM (optional)
- Float: Polyamide
- Sensor thermometer: Screw + thermometer

Temperature

From -20 °C to + 80 °C

Weight

LVK 10	0.140 kg
LVK 20	0.170 kg
LVK 30	0.250 kg



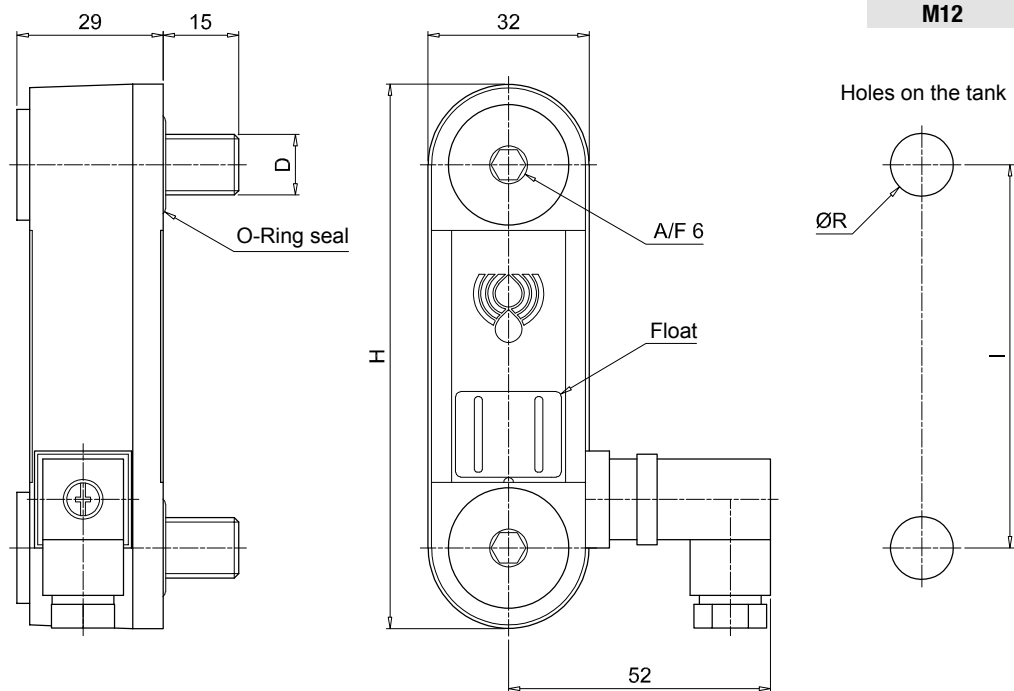
Designation & Ordering code

COMPLETE ELECTRICAL AND VISUAL OIL LEVEL INDICATORS

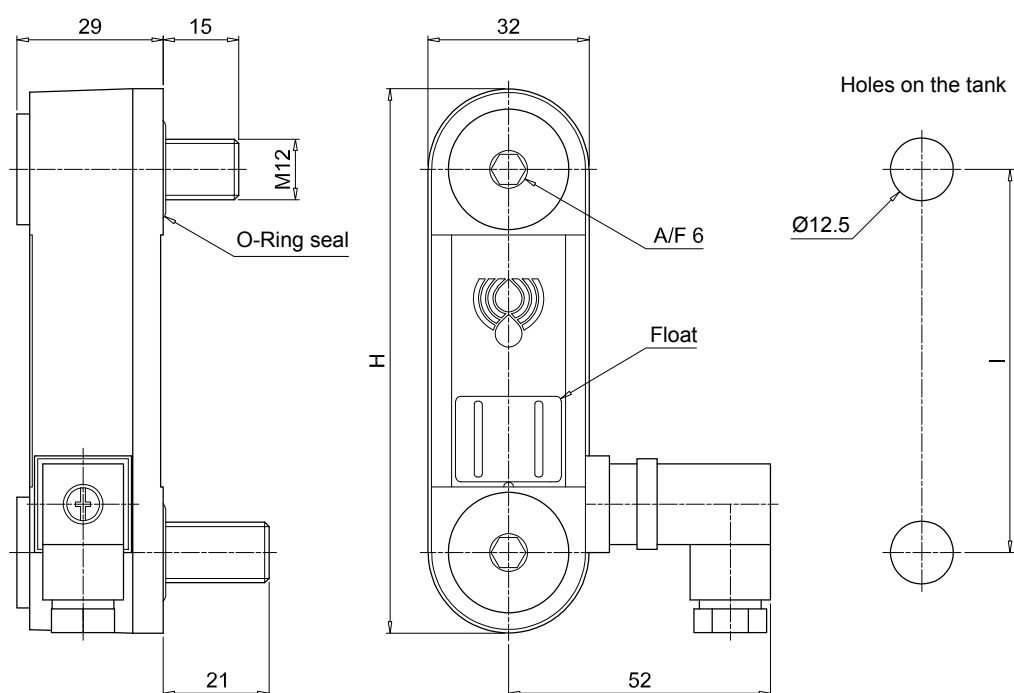
Series	Configuration example : LVK 20 A M12 1 T 5 P01								
LVK									
Length	10 20 30								
Seals	A NBR								
Connections	M10 Screws M10 M12 Screws M12								
Electrical switch in absence of fluid	1 N.O. (Normally Open) 2 N.C. (Normally Closed) 3 SPDT (single-pole, double throw)								
Version		Connection							
		M10	M12						
S Standard		•	•						
T With thermostat			•						
P With PT100 sensor			•						
Thermostat setting		Version							
		S	T	P					
S Standard (no setting)		•		•					
1 50°C N.O. (Normally Open)			•						
2 60°C N.O. (Normally Open)			•						
3 70°C N.O. (Normally Open)			•						
5 50°C N.C. (Normally Closed)			•						
6 60°C N.C. (Normally Closed)			•						
7 70°C N.C. (Normally Closed)			•						
					Execution				
					P01 MP Filtri standard				
					Pxx Customized				

LVK		
Size	H [mm]	I [mm]
10	108	76
20	159	127
30	286	254
Connections	D [mm]	ØR [mm]
M10	M10	10.5
M12	M12	12.5

Without thermostat

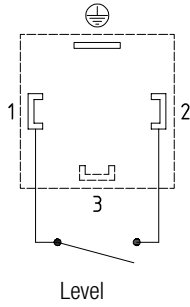


With thermostat

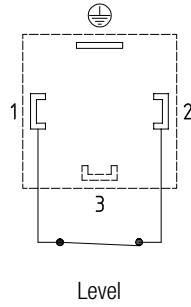


Electrical symbols

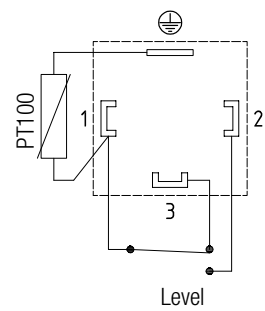
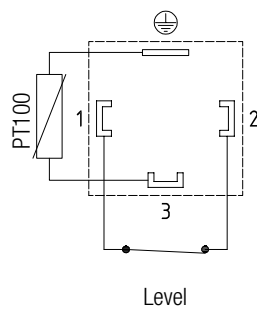
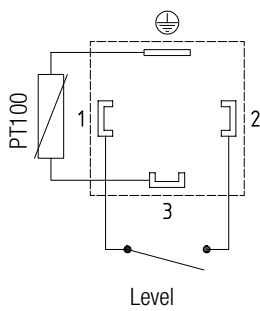
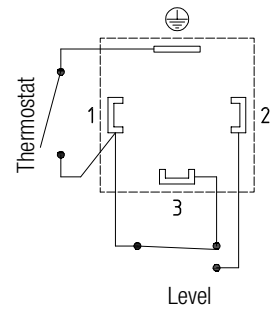
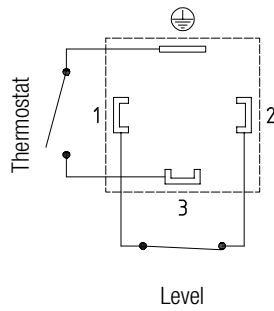
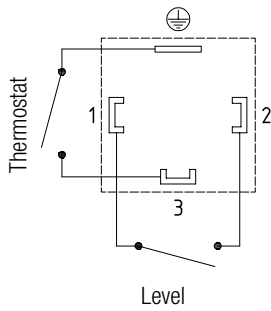
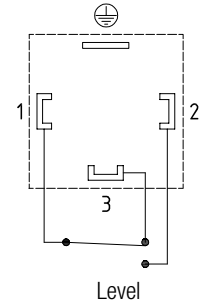
N.O.
(Normally Open)



N.C.
(Normally Closed)



SPDT
(single-pole, double-throw)



EM1 & SVM gauge isolator valves are designed to protect pressure gauges from pressure shocks when the pressure reading is not required.

FTA/FTR flanges make it possible to fix suction and return lines on the reservoir cover.

MULTIFIX fixing clamps make it possible to install various pipelines of different types and diameters, rapidly, easily, and, more importantly, economically.

CLEANING COVERS, facilitating the maintenance of oil tanks in hydraulic power units, without necessarily having to dismantle the unit.

ALUMINIUM TANKS of 10 litres capacity, allowing the assembly of a compact hydraulic power unit.