

# SAP 054-075 series

Polyamide air breather filter

# SA series

Metal air breather filter



# SAP 054-075 GENERAL INFORMATION

## Technical data

### Air breathers & Filler plugs

#### Polyamide air breather filter Flow rate up to 400 l/min

SAP is a range of plastic air breathers for protection of the tank against the solid contamination contained into the air. They are directly fitted on the tank.

#### Available features:

- Male threaded connections up to 3/4", for a maximum flow rate of 400 l/min
- Replaceable filter element
- Fine cellulose filtration, to get a good cleanliness level into the reservoir
- Polyester media is an option for heavy environmental conditions (high humidity, sand ...)

#### Common applications:

- Mobile machines (construction and agriculture machines)
- Industrial equipment

### Flow rate $\Delta p$ 0.02 bar

	Flow rate [l/min]	
	Filtration rating	L03
<b>SAP054</b>	200	250
<b>SAP075</b>	350	400

### Materials

- Cover: Polyamide
- Connection: Polyamide
- Filter element: Resin impregnated paper

### Temperature

From -25 °C to +100 °C

### Weight

SAP 054 - 0.06 kg  
SAP 075 - 0.15 kg



## Designation & Ordering code

### COMPLETE AIR FILTER

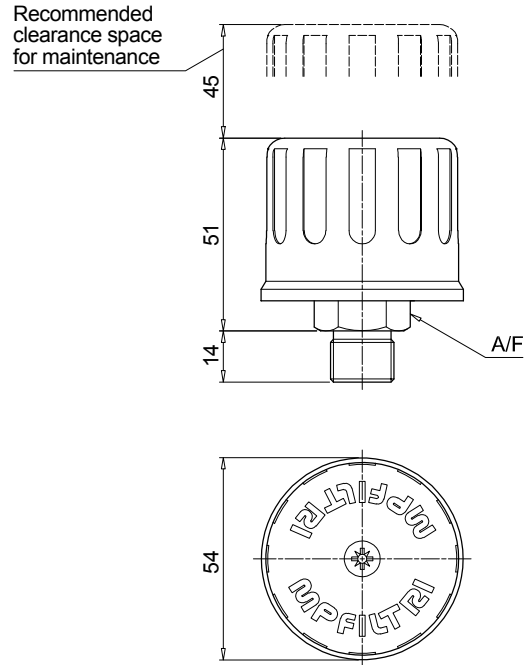
Series and size	Configuration example : SAP054 G2 L10 A P01				
<b>SAP054</b>					
<b>SAP075</b>					
Connections	SAP054	SAP075			
<b>G1</b>	G 3/8"	G 1/2"			
<b>G2</b>	G 1/2"	G 3/4"			
Filtration rating					
<b>L03</b>	Resin impregnated paper	3 µm			
<b>L10</b>	Resin impregnated paper	10 µm			
Seals					
<b>A</b>	NBR				
			Execution		
			<b>P01</b>	MP Filtri standard	
			<b>Pxx</b>	Customized	

### FILTER ELEMENT

Filter element series and size	Configuration example : A4 L10 P01			
<b>A4</b>	SAP054			
<b>A7</b>	SAP075			
Filtration rating				
<b>L03</b>	Resin impregnated paper	3 µm		
<b>L10</b>	Resin impregnated paper	10 µm		
			Execution	
			<b>P01</b>	MP Filtri standard
			<b>Pxx</b>	Customized

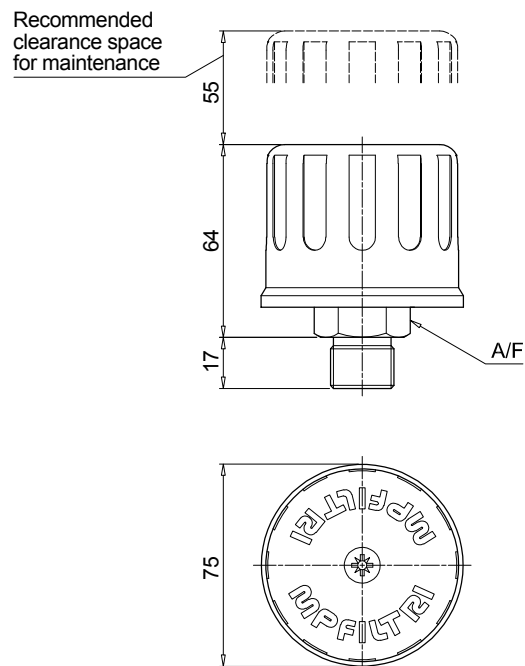
### SAP054

Connections	A/F [mm]
<b>G1</b>	22
<b>G2</b>	27



### SAP075

Connections	A/F [mm]
<b>G1</b>	27
<b>G2</b>	32



# SAP 50 GENERAL INFORMATION

## Technical data

### Air breathers & Filler plugs

#### Air breathers

#### Flow rates up to 200 l/min

SAP50 is a range of compact plastic air breathers for protection of the tank against the solid contamination contained into the air. They are directly fitted on the tank.

#### Available features:

- Male threaded connections up to 3/4", for a maximum flow rate of 200 l/min
- Fine cellulose filtration, to get a good cleanliness level into the reservoir

#### Common applications:

- Compact hydraulic systems
- Compact mobile machines
- Industrial equipment

#### Flow rate $\Delta p$ 0.02 bar

	Flow rate [l/min]	
	Filtration rating 03	10
<b>SAP50</b>	180	204

#### Materials

- Cover/Connection: Polyamide
- Filter element: Resin impregnated paper, Polyurethane
- Pressurization valve: Polyamide, Galvanized steel, NBR
- Seals: NBR

#### Temperature

From -25 °C to +100 °C

#### Weight

SAP 50 0.40 kg

#### Quantity

10 pcs/pack



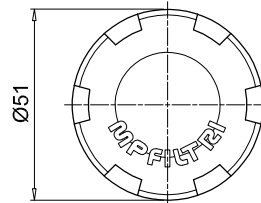
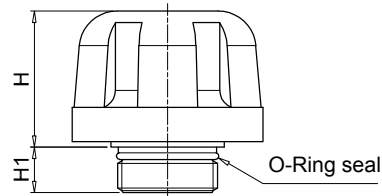
## Designation & Ordering code

### COMPLETE AIR FILTER

Serie	Configuration example :						
<b>SAP50</b>	SAP50	G3	L03	A	1	0	P01
<b>Connections</b>							
<b>G1</b>	G 1/4"						
<b>G2</b>	G 3/8"						
<b>G3</b>	G 1/2"						
<b>G4</b>	G 3/4"						
<b>G9</b>	SAE 6 - 9/16" - 18 UNF						
<b>G10</b>	SAE 12 - 1 1/16" - 12 UN						
<b>Filtration rating</b>							
<b>L03</b>	Resin impregnated paper	3 $\mu$ m					
<b>L10</b>	Polyurethane	10 $\mu$ m					
<b>Seals</b>							
<b>A</b>	NBR						
<b>Valve</b>		Connection					
		G1	G2	G3	G4	G9	G10
<b>0</b>	Without valve	•	•	•	•	•	•
<b>1</b>	0.5 bar pressurization valve		•	•	•		•
<b>Basket</b>							
<b>0</b>	Without basket						
<b>Execution</b>							
<b>P01</b> MP Filtri standard							
<b>Pxx</b> Customized							

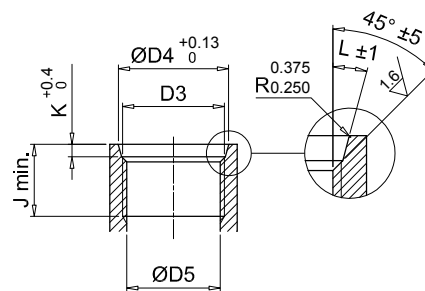
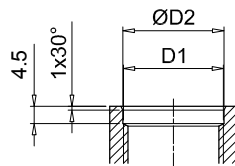
SAP50

Threaded connection



Housing on the tank for connections BPS

Housing on the tank for connections SAE



Connections	H [mm]	H1 [mm]	D1 [mm]	ØD2 [mm]	D3 [mm]	ØD4 [mm]	ØD5 [mm]	J min. [mm]	K [mm]	L
<b>G1</b>	36	12	G 1/4"	13.5	-	-	-	-	-	-
<b>G2</b>	36	12	G 3/8"	17	-	-	-	-	-	-
<b>G3</b>	36	12	G 1/2"	21.5	-	-	-	-	-	-
<b>G4</b>	36	12	G 3/4"	26.7	-	-	-	-	-	-
<b>G9</b>	36	12	-	-	SAE 6 - 9/16" - 18 UNF	15.6	13.081 12.751	12.7	2.5	12°
<b>G10</b>	35	14.5	-	-	SAE 12 - 1 1/16" - 12 UN	29.2	24.978 24.696	19	3.3	15°