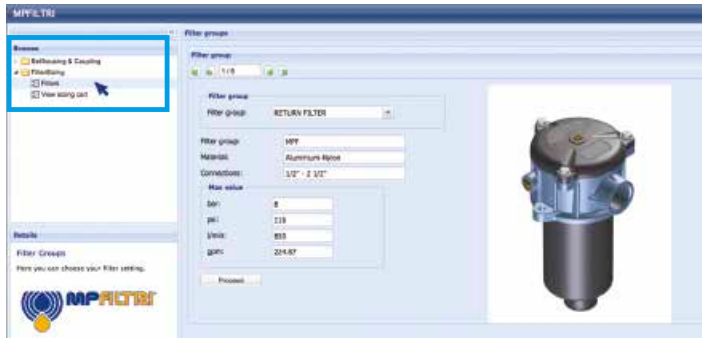


SF2 500 series

Flow rate up to 800 l/min



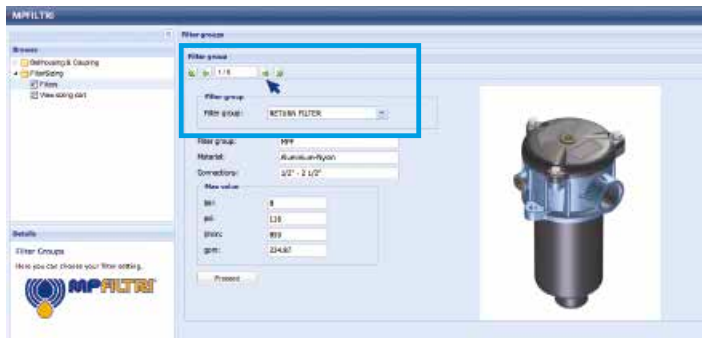
Step 1 Select "FILTERS"



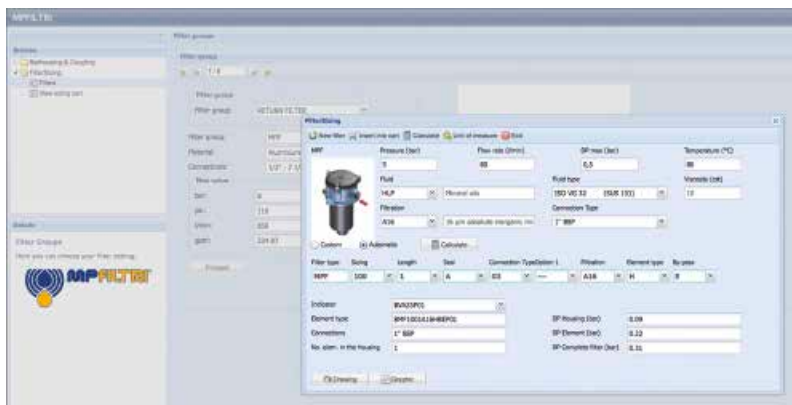
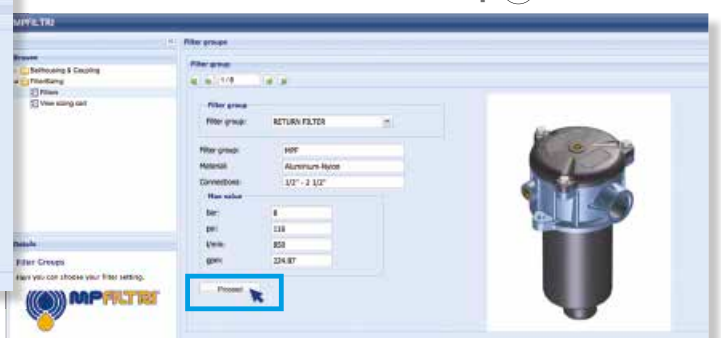
Step 2 Choose filter group (Return Filter, Pressure Filter, etc.)



Step 3 Choose filter type (MPF, MPT, etc.) in function of the max working pressure and the max flow rate



Step 4 Push "PROCEED"



Step 5

Insert all application data to calculate the filter size following the sequence:


- working pressure
- working flow rate
- working pressure drop
- working temperature
- fluid material and fluid type
- filtration media
- connection type

Step 6

Push "CALCULATE" to have result; in case of any mistake, the system will advice which parameter is out of range to allow to modify/adjust the selection



Step 7

Download PDF  Datasheet "Report.aspx" pushing the button "Drawing"

SF2 500 GENERAL INFORMATION

Description

Suction filters

Flow rate up to 800 l/min

SF2 500 is a range of suction filters with integrated shut-off valve for protection of the downstream pump against the coarse contamination. They are placed below the minimum oil level, directly connected to the suction line of the pump.

They can be fitted on the side or below the tank, allowing a more flexible design of the tank.

The shut-off valve closes automatically when the cover is removed, allowing the filter element replacement without the fluid drop.

Available features:

- Flanged connections up to 4", for a maximum flow rate of 800 l/min
- Optional hose fitting installed, to connect the suction line without the use of flanges
- Magnetic column, to hold the ferrous particles
- Plastic and metal handle, to close the shut-off valve before the cover removal
- Electrical switch, to signal the closed shut-off valve
- Visual, electrical and electronic clogging indicators

Common application:

Industrial equipment

Technical data

Filter housing materials

- Housing:
 - Anodized Aluminium
 - Steel (chemical heat treatment): only for SF2 535 - 540
- Cover:
 - Anodized Aluminium
 - Steel (chemical heat treatment): only for SF2 535 - 540
- Optional flange:
 - Anodized Aluminium

Elements

Fluid flow through the filter element from IN to OUT

Seals

- Standard NBR series A
- Optional FPM series V

Temperature

From -25 °C to +110 °C

Note

SF2 500 filters mounting, see the drawings on page 51 and following



Weights [kg]

Filter series	
SF2 500-501	4.0
SF2 503	4.8
SF2 504	5.8
SF2 505	6.0
SF2 510	7.2
SF2 535	17
SF2 540	19

GENERAL INFORMATION SF2 500

FILTER ASSEMBLY SIZING Flow rates [l/min]

Filter series	Filter element design - N Series	
	M25	M60 M90 M250
SF2 500	219	234
SF2 501	259	282
SF2 503	325	390
SF2 504	484	543
SF2 505	199	221
SF2 510	259	282
SF2 535	439	479
SF2 540	644	688

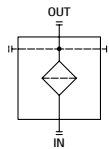
Maximum flow rate for a complete suction filter with a pressure drop $\Delta p = 0.08$ bar.

The reference fluid has a kinematic viscosity of 30 mm²/s (cSt) and a density of 0.86 kg/dm³.

For different pressure drop or fluid viscosity we recommend to use our selection software available on www.mpfiltri.com.

You can also calculate the right size using the formulas present on the FILTER SIZING paragraph at the beginning of the full catalogue or at the beginning of the filter family brochure. Please, contact our Sales Department for further additional information.

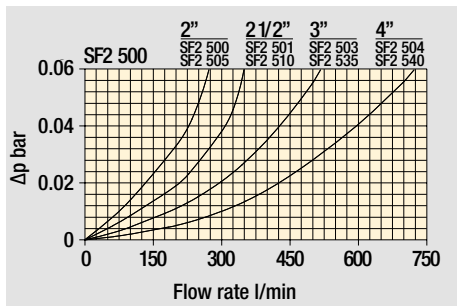
Filter series	
SF2 500	•



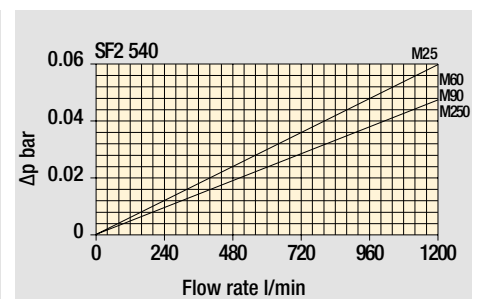
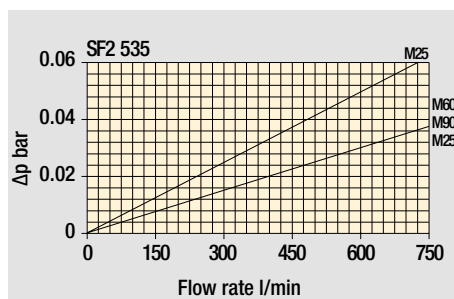
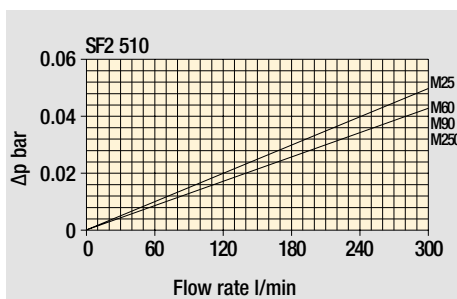
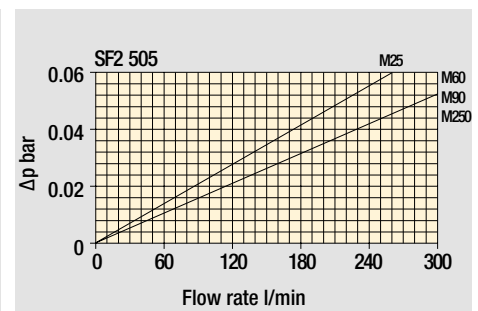
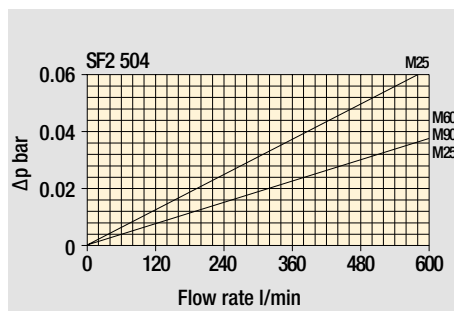
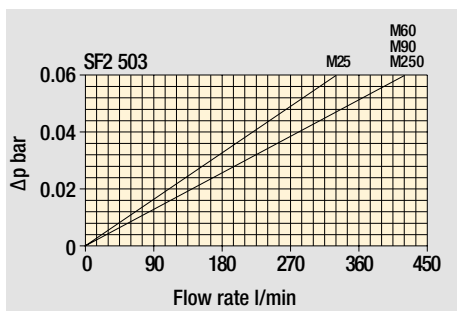
Hydraulic symbols

Pressure drop

Filter housings Δp pressure drop



Filter element Δp pressure drop



The curves are plotted using mineral oil with density of 0.86 kg/dm³ in compliance with ISO 3968. Δp varies proportionally with density.

Designation & Ordering code

COMPLETE FILTER

Series and size		Configuration example 1: SF2500 W F1 D M25 P01					
SF2500		Configuration example 2: SF2535 A F2 C M60 P01					
SF2501							
SF2503							
SF2504							
SF2505							
SF2510							
SF2535							
SF2540							
Seals and treatments		Filtration rating					
A	NBR	Mxx	Pxx				
V	FPM	•	•				
W	NBR compatible with fluids HFA-HFB-HFC	•					
Z	FPM compatible with fluids HFA-HFB-HFC	•					
Connections							
		SF2500 - SF2505	SF2501 - SF2510	SF2503 - SF2535	SF2504 - SF2540		
F1	2" SAE 3000 psi/M	2 1/2" SAE 3000 psi/M	3" SAE 3000 psi/M	4" SAE 3000 psi/M			
F2	2" SAE 3000 psi/UNC	2 1/2" SAE 3000 psi/UNC	3" SAE 3000 psi/UNC	4" SAE 3000 psi/UNC			
C1	Hose barb 2"/M	Hose barb 2 1/2"/M	Hose barb 3"/M	Hose barb 4"/M			
Microswitch and Handweel							
		SF2500 - SF2501	SF2503 - SF2504	SF2505 - SF2510	SF2535 - SF2540		
S	Without microswitch, without handweel	•	•	•	•		
C	With microswitch, without handweel			•	•		
D	With microswitch, with Nylon handweel	•	•				
K	With microswitch, with steel handweel	•	•				
M	Without microswitch, with Nylon handweel	•	•				
Filtration rating (filter media)							
M25	Wire mesh 25 µm	M90	Wire mesh 90 µm				
M60	Wire mesh 60 µm	M250	Wire mesh 250 µm				

Execution
P01 MP Filtri standard
Pxx Customized

FILTER ELEMENT

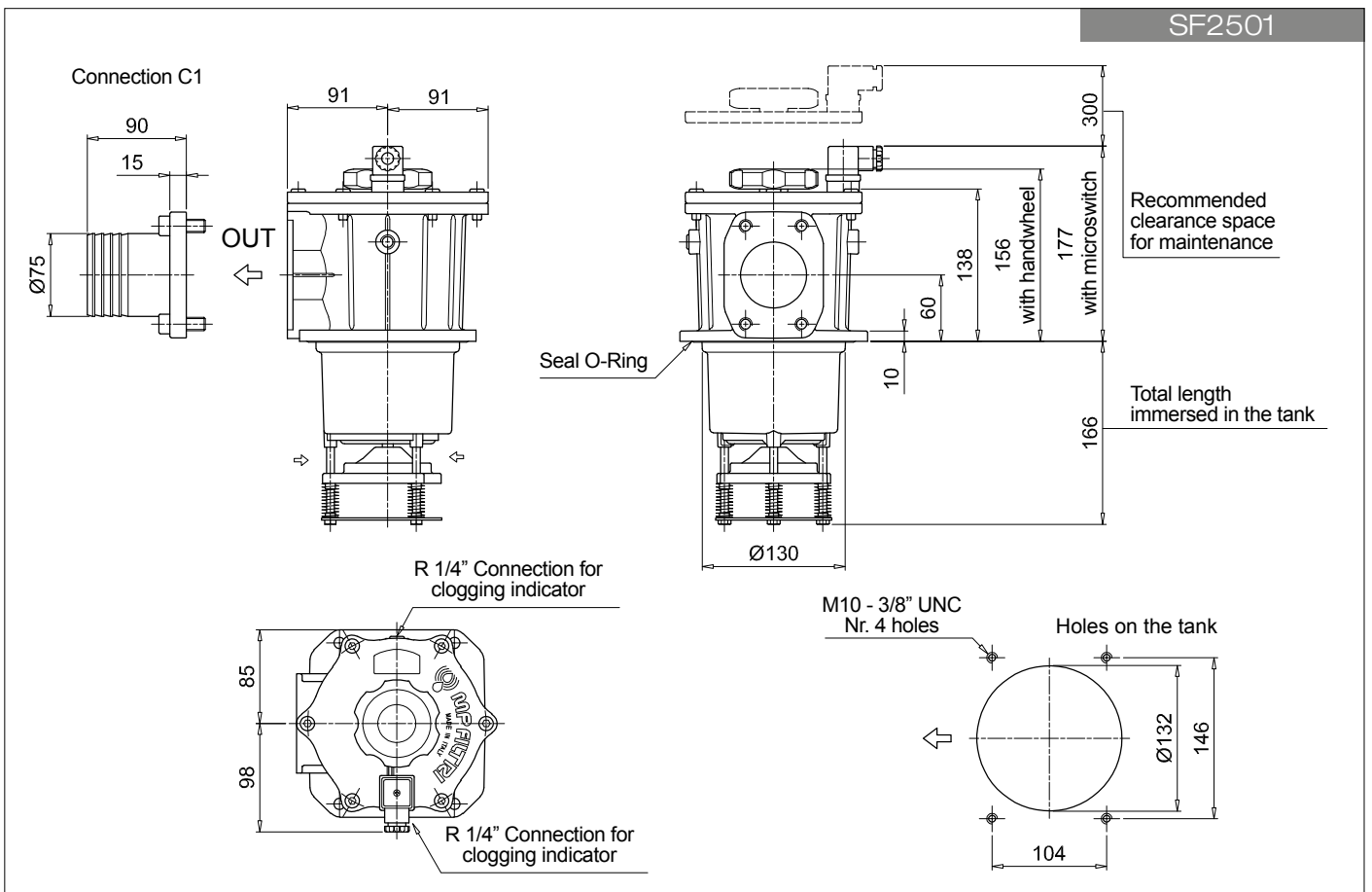
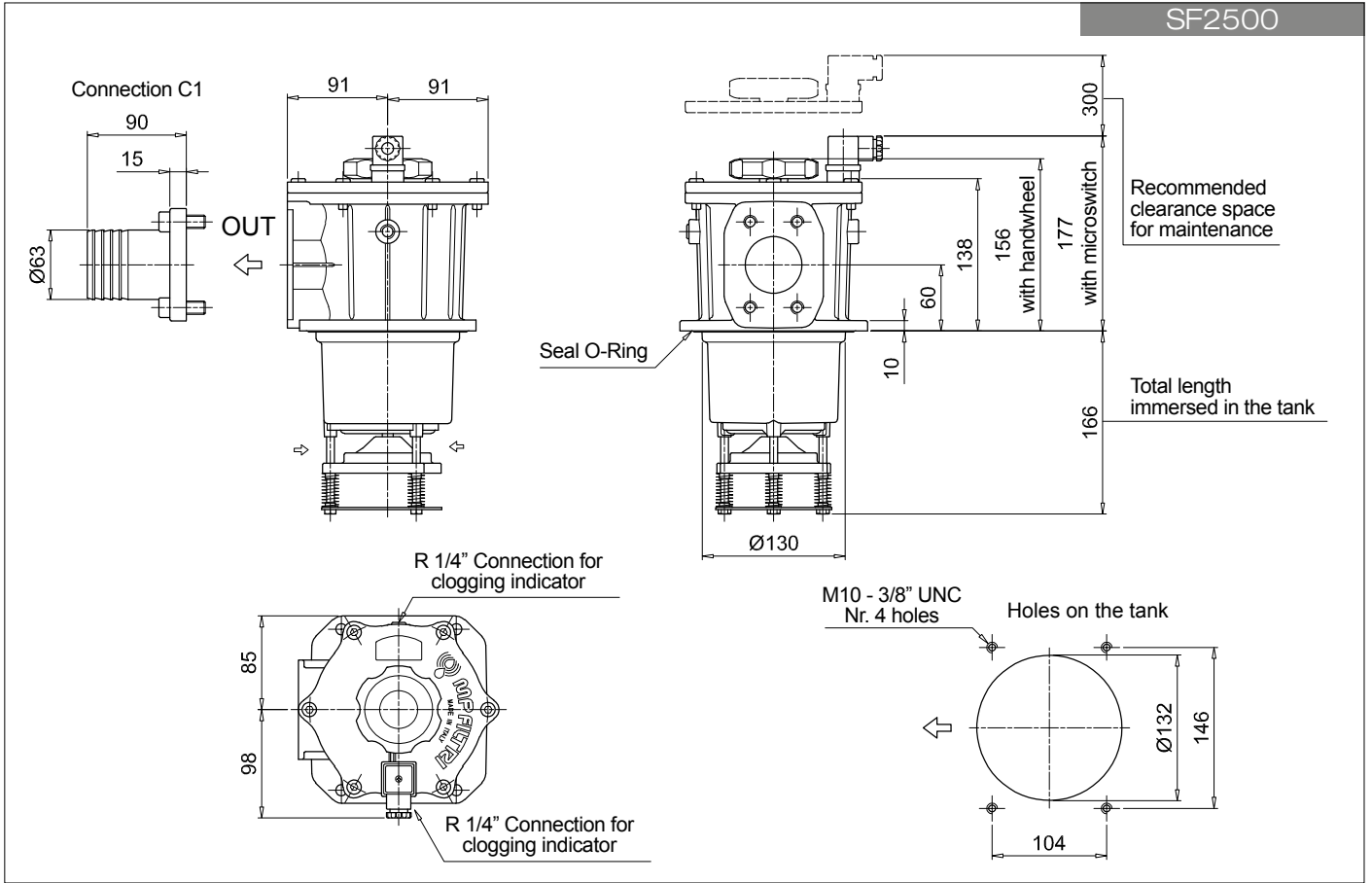
Element series and size								Configuration example 1: SF510 M25 W P01				
								Configuration example 2: SF535 M60 P01				
	SF2500	SF2501	SF2503	SF2504	SF2505	SF2510	SF2535	SF2540				
SF503			•									
SF504				•								
SF505					•							
SF510	•	•				•						
SF535							•					
SF540								•				
Filtration rating (filter media)												
M25	Wire mesh 25 µm	M90	Wire mesh 90 µm									
M60	Wire mesh 60 µm	M250	Wire mesh 250 µm									

Seals and treatments		Filtration rating	
	Standard version	Mxx	Pxx
W	Compatible with fluids HFA-HFB-HFC	•	•

Execution
P01 MP Filtri standard
Pxx Customized

ACCESSORIES

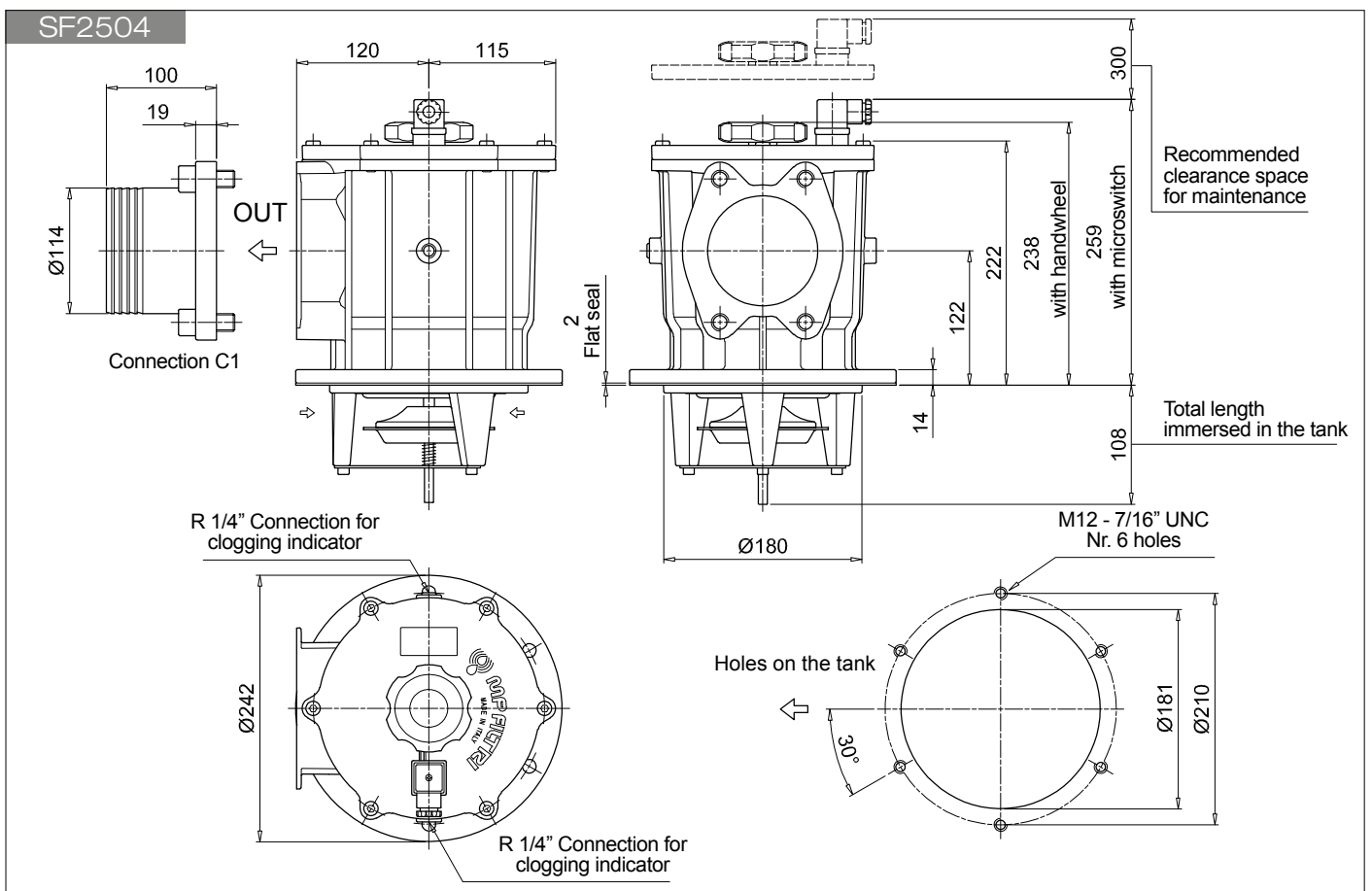
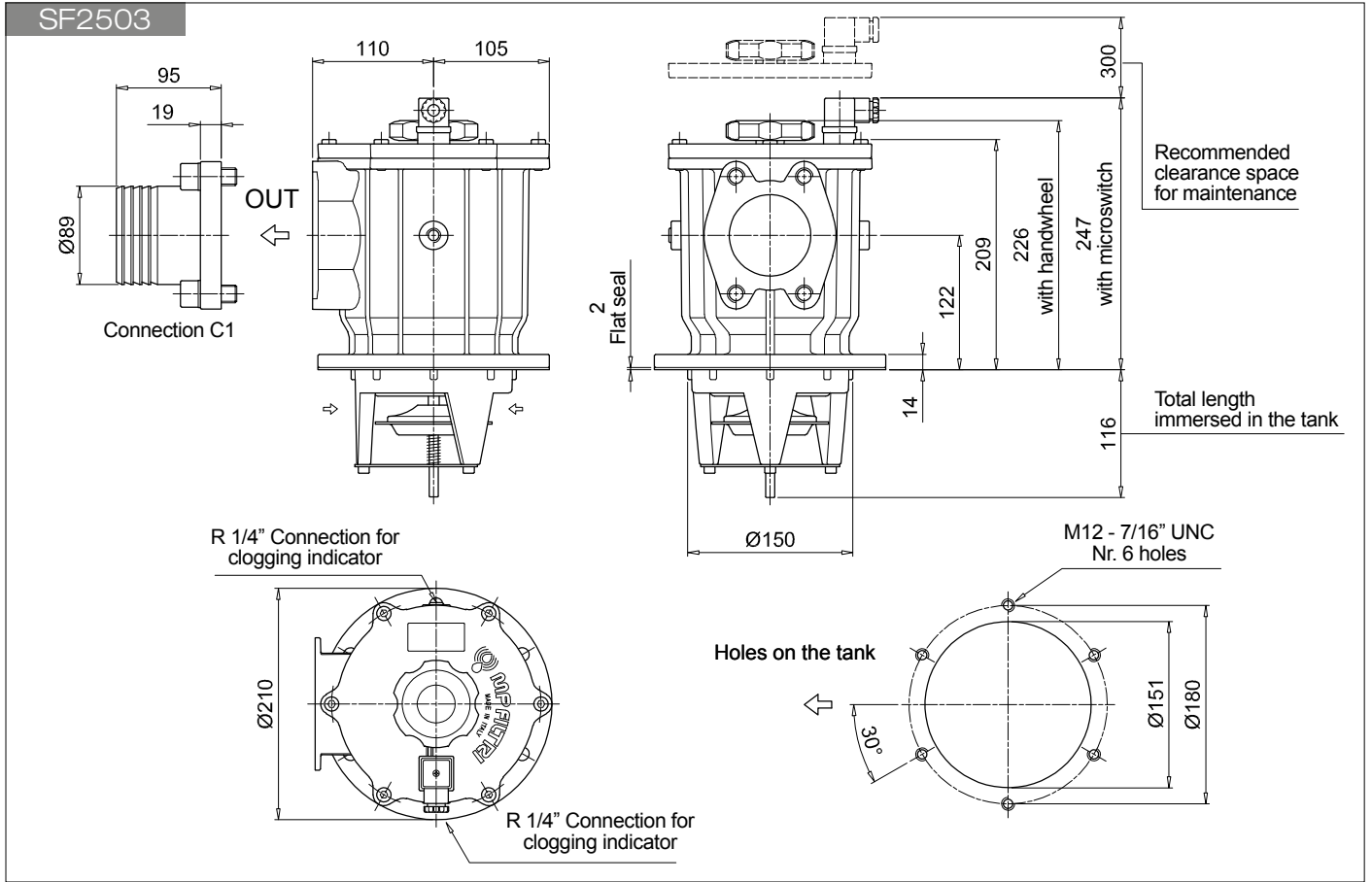
Clogging indicators		page
VVA	Axial vacuum gauge	59
VVR	Radial vacuum gauge	59
VEA	Electrical vacuum indicator	58
VLA	Electrical / visual vacuum indicator	58



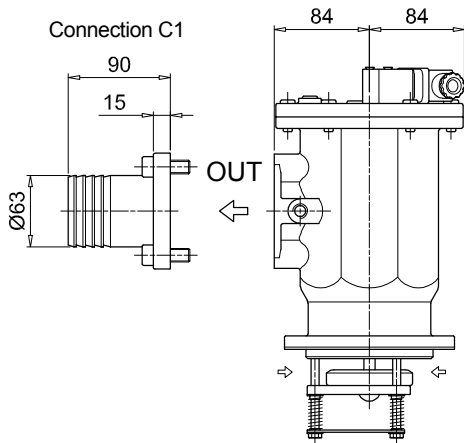
SF2 500

SF2500 - SF2501 - SF2503 - SF2504 - SF2505 - SF2510 - SF2535 - SF2540

Dimensions



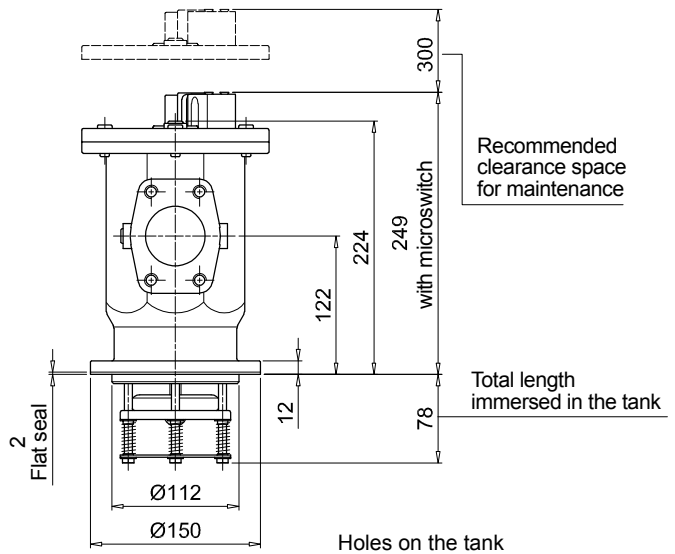
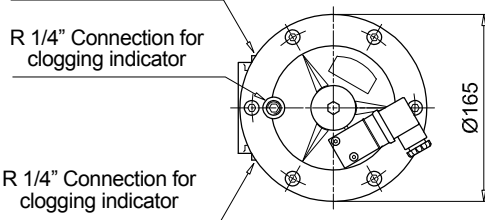
SF2505



R 1/4" Connection for clogging indicator

R 1/4" Connection for clogging indicator

R 1/4" Connection for clogging indicator

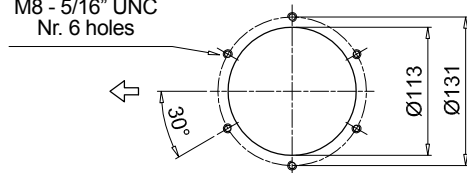


Recommended clearance space for maintenance

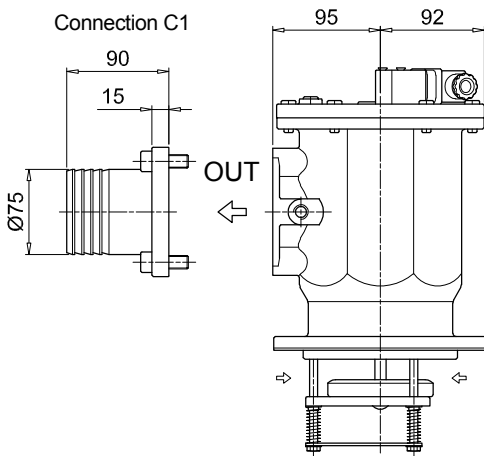
Total length immersed in the tank

Holes on the tank

M8 - 5/16" UNC
Nr. 6 holes



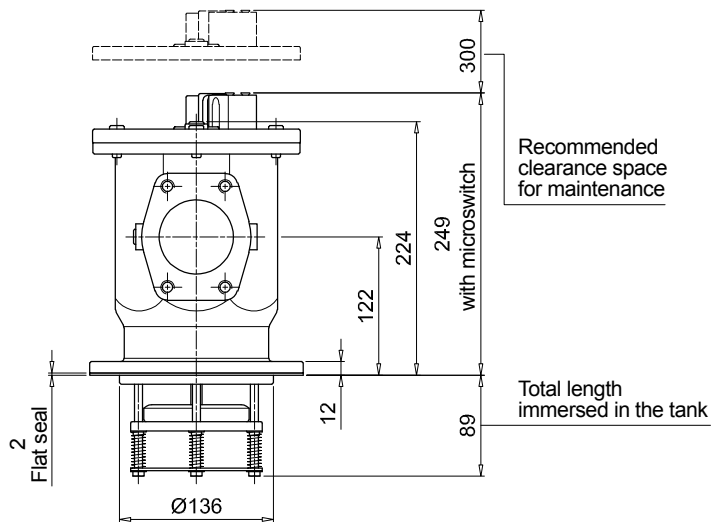
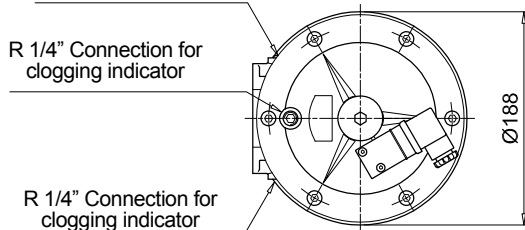
SF2510



R 1/4" Connection for clogging indicator

R 1/4" Connection for clogging indicator

R 1/4" Connection for clogging indicator

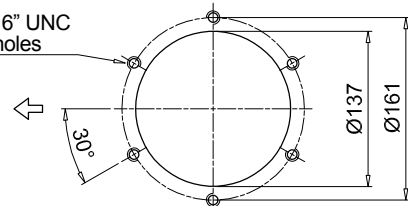


Recommended clearance space for maintenance

Total length immersed in the tank

Holes on the tank

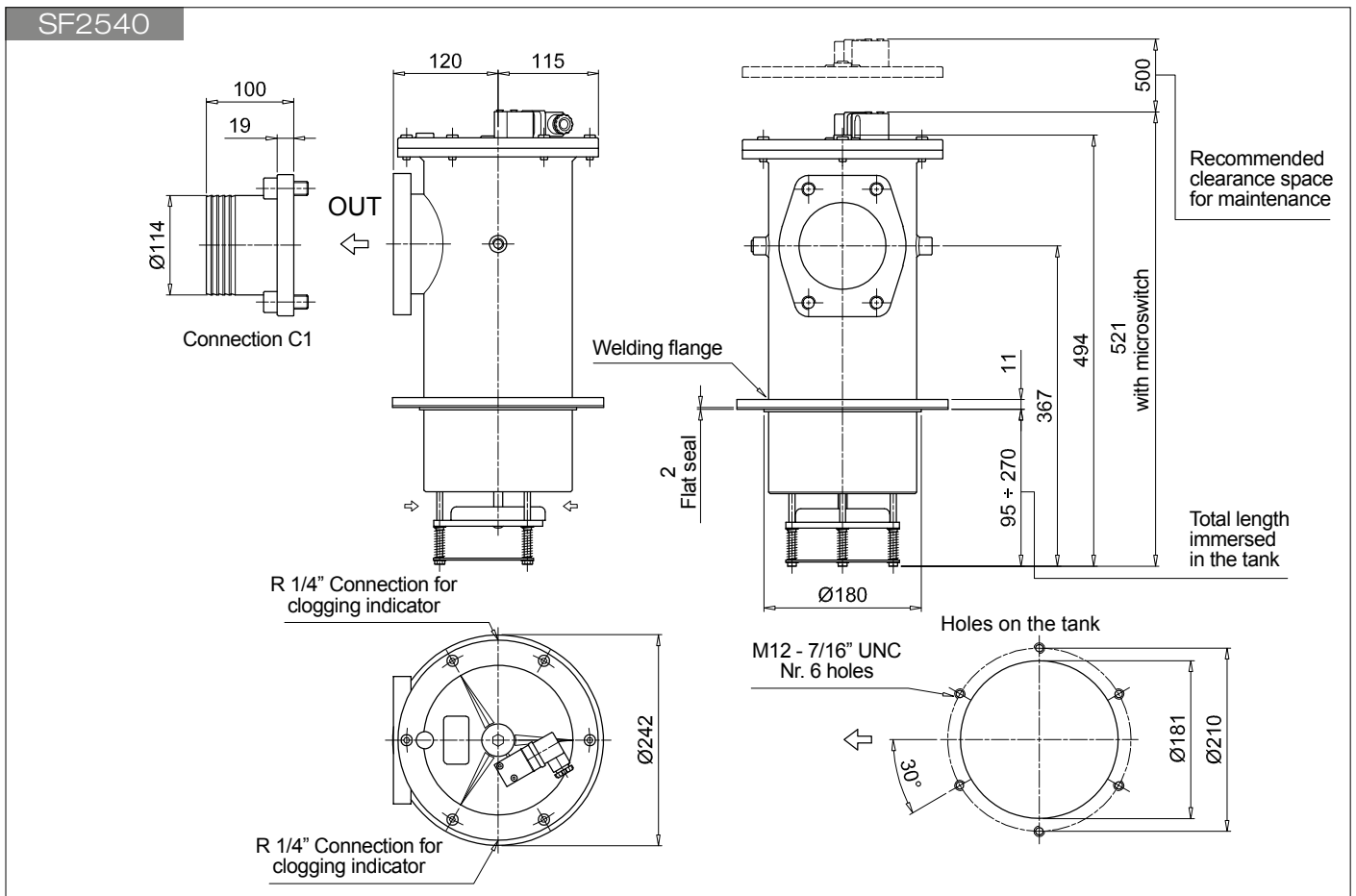
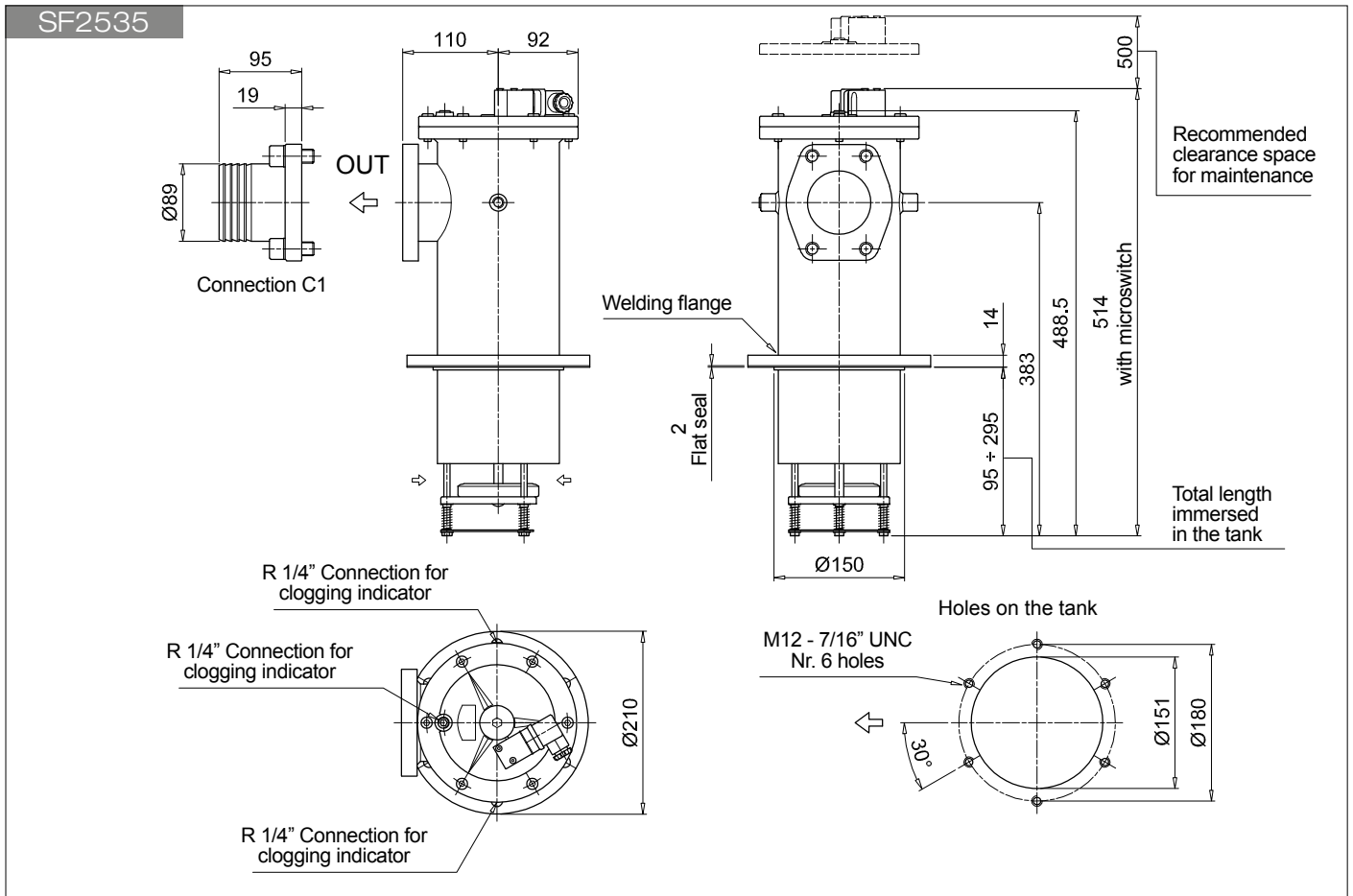
M12 - 7/16" UNC
Nr. 6 holes



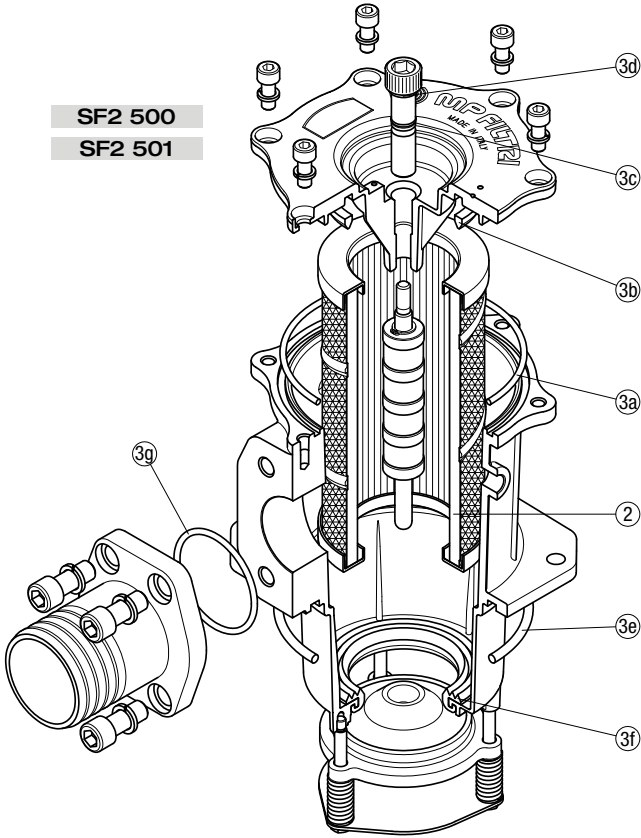
SF2 500

SF2500 - SF2501 - SF2503 - SF2504 - SF2505 - SF2510 - SF2535 - SF2540

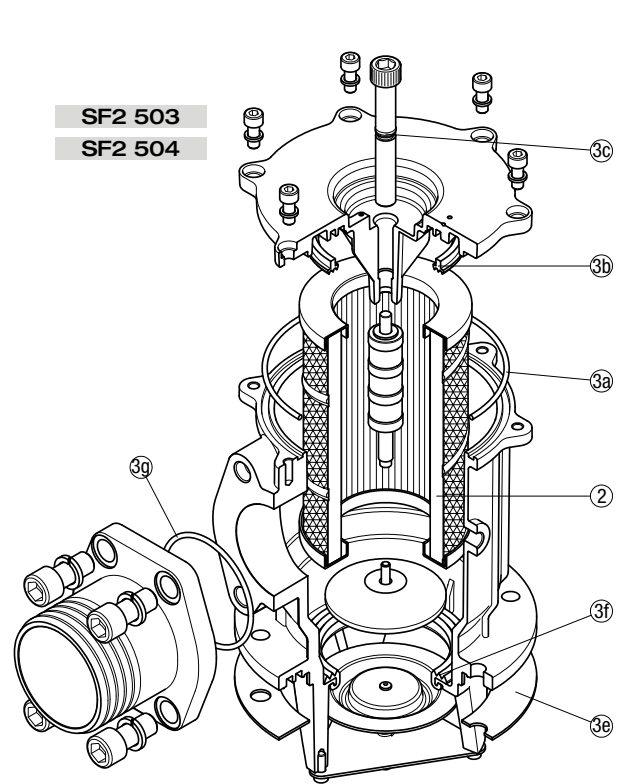
Dimensions



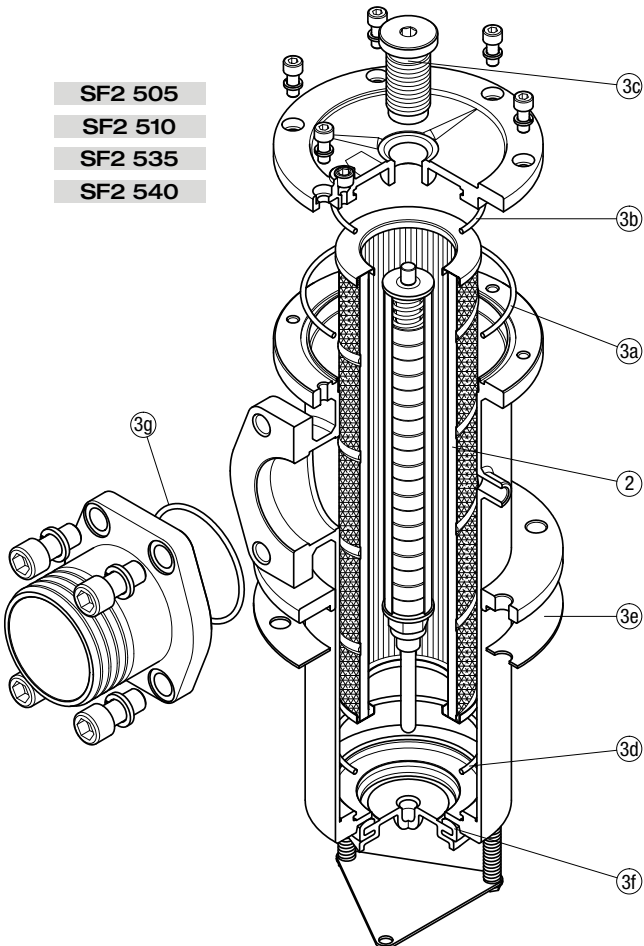
SF2 500
SF2 501



SF2 503
SF2 504



SF2 505
SF2 510
SF2 535
SF2 540



Item:	Q.ty: 1 pc.		
	2	3 (3a = 3g)	
Filter series	Filter element	Seal Kit code number	
		NBR	FPM
SF2 500	See order table	02050141	02050142
SF2 501		02050143	02050144
SF2 503		02050070	02050071
SF2 504		02050072	02050073
SF2 505		02050043	02050044
SF2 510		02050045	02050046
SF2 535		02050051	02050052
SF2 540		02050053	02050054