

# SME 1 - SMF 1 - SML 1 series

Risers for breathers and filler caps installation



### Technical data

#### Air breathers & Filler plugs

#### Risers for breathers and filler caps installation

SME/SMF/SML are ranges of risers for installation of the breathers and filler caps in any place on the tank. They make the maintenance operation easy and fast.

#### Available features:

- SME: vertical riser made of polyamide for polyamide tanks, mainly used in the mobile machines
- SMF: sloping riser made of polyamide for polyamide tanks, mainly used in the mobile machines
- SML: sloping riser made of aluminum for metal tanks, mainly used in the industrial equipment and heavy-duty applications

#### Materials SME

- Body: Polyamide
- Seals: NBR
- Screws: Galvanized steel

#### Materials SMF

- Body: Polyamide
- Seals: NBR
- Screws: Galvanized steel

#### Materials SML

- Body: Aluminium
- Seals: NBR
- Screws: Galvanized steel

#### Temperature

From -25 °C to +100 °C

#### Weight

SME	0.250 kg
SMF	0.325 kg
SML	0.380 kg

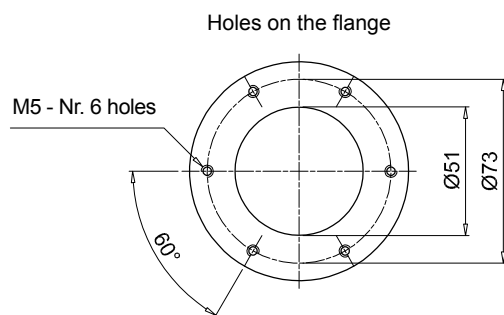
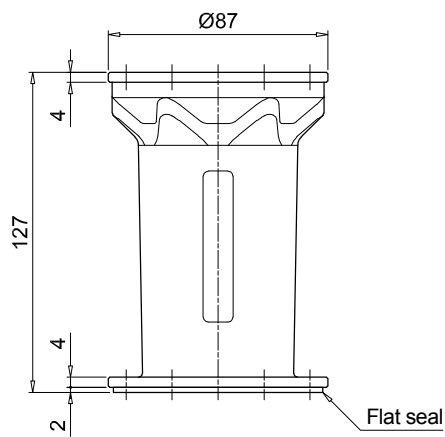
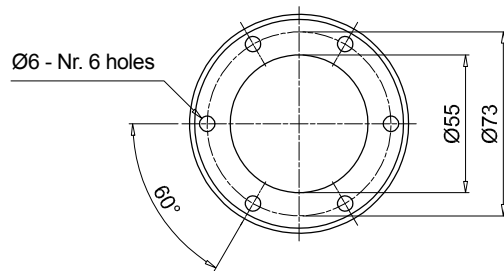


### Designation & Ordering code

#### COMPLETE ADAPTER

Series		Configuration example: SMF1 M A P01			
<b>SME1</b>	Polyamide vertical riser				
<b>SMF1</b>	Polyamide sloping riser				
<b>SML1</b>	Aluminium sloping riser				
Connections					
<b>M</b>	Metric screws				
<b>U</b>	UNC screws				
Seals					
<b>A</b>	NBR				
Execution		Series			
		SME1	SMF1	SML1	
<b>P01</b>	MP Filtri standard		•	•	
<b>P02</b>	Standard without logo	•			

SME1



# SME 1-SMF 1-SML 1

## Dimensions

