

TA 46 TAP 50 SAP 50 series

Steel filler plug
and air filter

Polyamide
filler plug

Polyamide
air filter



TAP 50 GENERAL INFORMATION

Technical data

Air breathers & Filler plugs

Filler plug and polyamide air filters Flow rates up to 200 l/min

TAP50 is a range of compact plastic air breathers and filler caps for protection of the tank against the solid contamination contained into the air and filling of the fluid into the systems during the commissioning and maintenance procedures.

Available features:

- Flanged connection with bayonet, for a maximum flow rate of 200 l/min
- Fine cellulose filtration, to get a good cleanliness level into the reservoir
- Filling basket, to hold the coarse contamination contained into the fluid and to diffuse the fluid flow into the tank

Common applications:

- Compact hydraulic systems
- Compact mobile machines
- Industrial equipment

Flow rate Δp 0.02 bar

	Flow rate [l/min]	
	Filtration rating 03	10
TAP50	180	202

Materials

- Cover/ringnut: Polyamide
- Filter element: Resin impregnated paper, Polyurethane
- Pressurization valve: Polyamide, Galvanized steel, NBR
- Seals: NBR
- Flange: Polyamide
- Screws: Galvanized steel
- Basket: Polyamide

Temperature

From -25 °C to +100 °C

Weight

TAP 50 0.60 kg

Quantity

10 pcs/pack



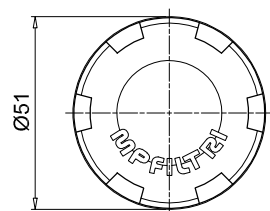
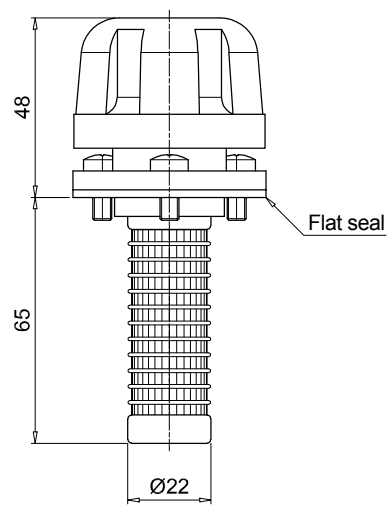
Designation & Ordering code

COMPLETE FILLER PLUG

Serie	Configuration example :	TAP50	C	03	A	1	1	P01
TAP50								
Connections								
C	Screwed flange with G 3/4" mount							
Filtration rating								
03	Resin impregnated paper 3 µm							
10	Polyurethane 10 µm							
Seals								
A	NBR							
Valve								
0	Without valve							
1	0.5 bar pressurization valve							
Basket								
1	With basket							
Execution								
P01	MP Filtri standard							
Pxx	Customized							

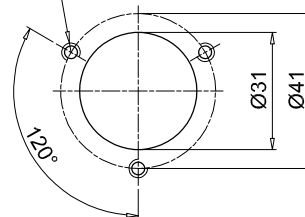
TAP50

Screwed flange



Holes on the tank

M5 - Nr. 3 holes



TAP 90 series

Filler plug and polyamide air filter up to 550 l/min



TAP 90 GENERAL INFORMATION

Technical data

Air breathers & Filler plugs

Filler plug and polyamide air filters Flow rates up to 550 l/min

TAP90 is a range of plastic air breathers and filler caps for protection of the tank against the solid contamination contained into the air and filling of the fluid into the systems during the commissioning and maintenance procedures.

They are directly fitted on the tank.

Available features:

- Male threaded connections up to 1 1/2" and flanged connection with bayonet, for a maximum flow rate of 550 l/min
- Fine cellulose filtration, to get a good cleanliness level into the reservoir
- Pressurization valve with different setting, to guarantee a positive pressure into the tank in any application with metal or plastic tanks
- Padlock tab, to secure the air breather to the tank
- Filling basket, to hold the coarse contamination contained into the fluid and to diffuse the fluid flow into the tank
- Dipstick, to monitor the fluid level into the tank even in complicated positions

Common applications:

- Hydraulic systems
- Mobile machines
- Industrial equipment

Flow rate Δp 0.02 bar

TAP90	Flow rate [l/min]	
	Filtration rating 03	10
	450	550

Materials

- Cover/Ringnut: Polyamide
- Filter element: Resin impregnated paper, Polyurethane
- Pressurization valve: Polyamide (bodies), Galvanized steel (end cap - disk), NBR (seals)
- Flange B: Polyamide
- Seals: NBR
- Screws: Galvanized steel
- Padlock tab: Galvanized steel
- Chain, Ring: Brass
- Dipstick: Phosphatized steel
- Basket: Galvanized steel, Polyamide

Temperature

From -25 °C to +100 °C

Weight

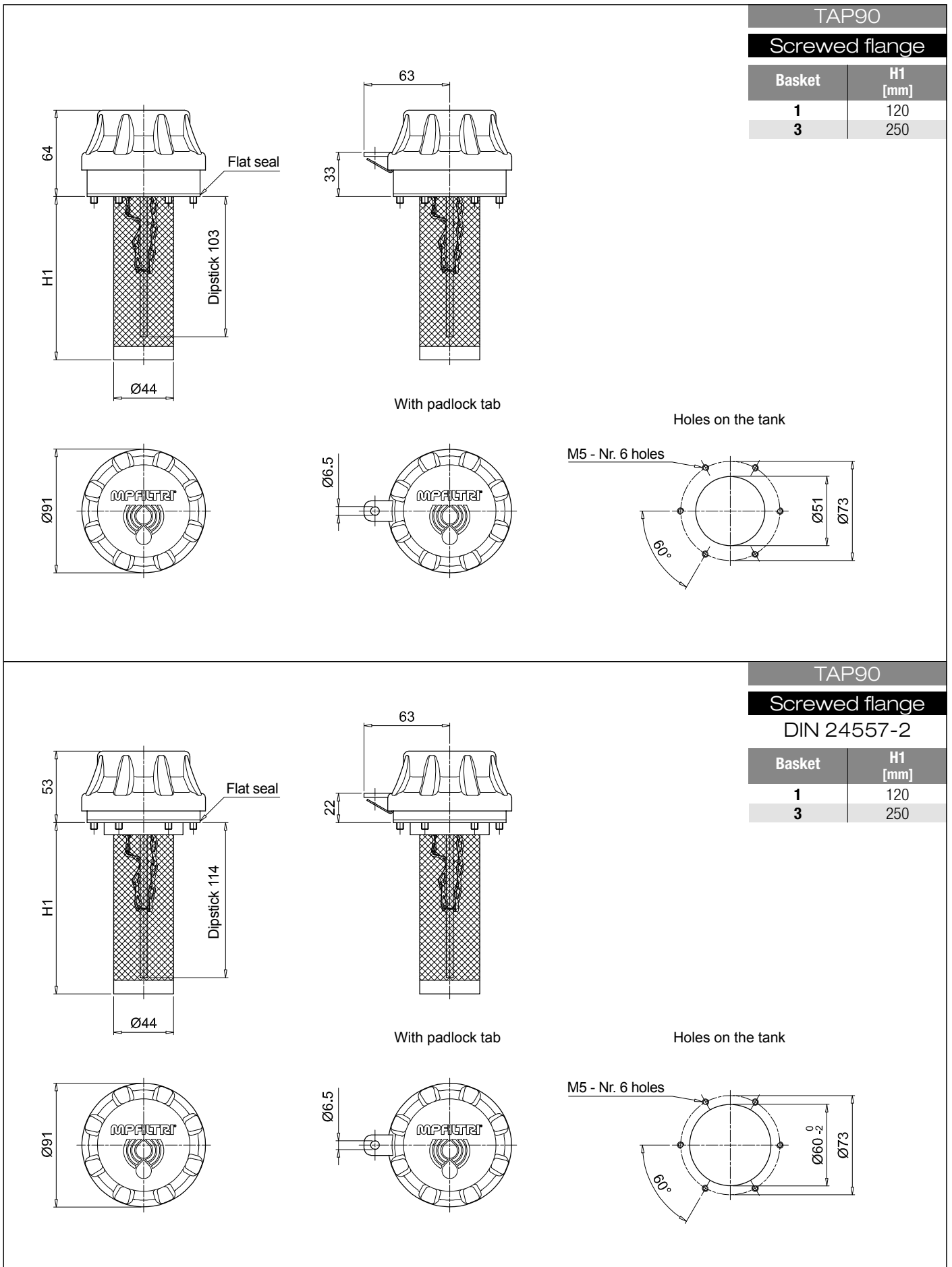
L 120 mm 0.25 kg
L 250 mm 0.31 kg



Designation & Ordering code

COMPLETE BREATHER PLUG

Serie	Configuration example 1 :									
TAP90	TAP90	R	03	A	1	A	1	P01		
	Configuration example 2 :									
	TAP90	G	10	A	2	L			P01	
Connections										
R Screwed flange with M52x2 mount	H G 1 1/2"									
F Screwed flange DIN 24557-2	M 3/4" NPT									
C Weld riser	G M52x2									
	Q G 3/4"									
	Connection									
Filtration rating	R	F	C	Q	H	M	G			
00 Without filter (blind filler plug)	•	•	•							
03 Resin impregnated paper 3 µm	•	•	•	•	•	•	•			
10 Polyurethane 10 µm	•	•	•	•	•	•	•			
Valve	Filtration rating:		00	03	10					
0 Without valve			•	•	•					
1 0.3 bar pressurization valve				•	•					
2 0.7 bar pressurization valve				•	•					
Version										
0 Standard	A With dipstick									
L With padlock tab	F With padlock tab and dipstick									
	Connection									
Basket	R	F	C	Q	H	M	G			
0 Without basket	•	•	•							
1 With basket 120 mm	•	•	•							
3 With basket 250 mm	•	•	•							
Seals										
A NBR										
Execution										
P01 MP Filtri standard										
Pxx Customized										

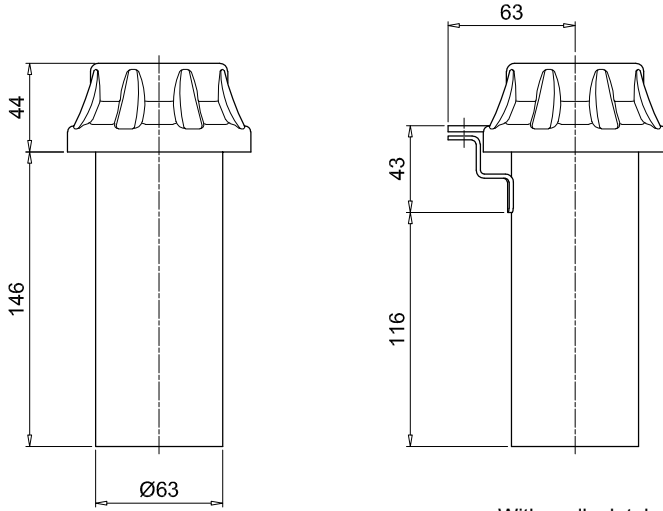


TAP 90

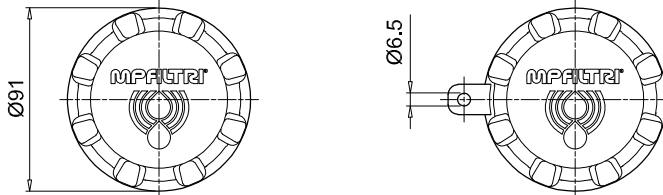
Dimensions

TAP90

Weld riser



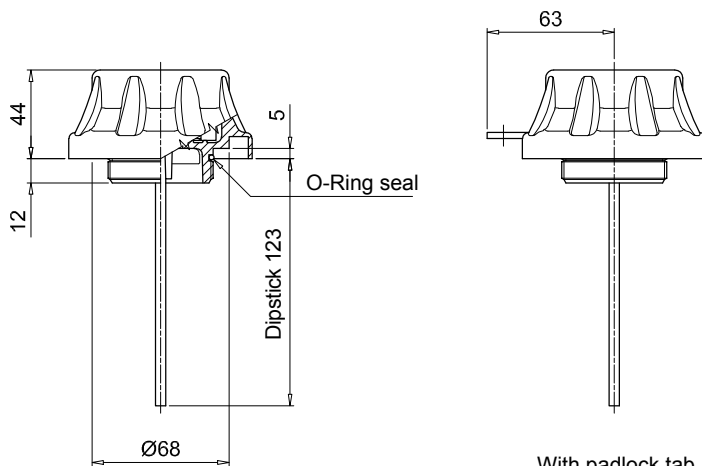
With padlock tab



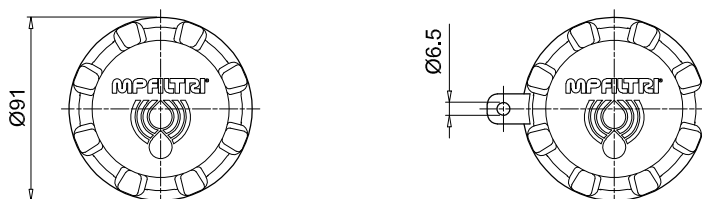
TAP90

Threaded connection

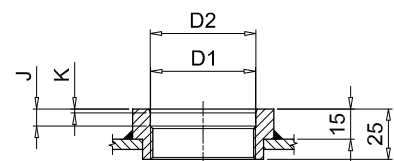
Connections	D1 [mm]	D2 [mm]	J [mm]	K [mm]
Q	G 3/4"	-	-	-
H	G 1 1/2"	48.5	8.5	2x15°
M	3/4" NPT	-	-	-
G	M 52x2	52.5	8.5	2x15°



With padlock tab



Housing on the tank
for connections G - H - M - Q



TAP 114 series

Filler plug and polyamide air filter up to 1600 l/min



TAP 114 GENERAL INFORMATION

Technical data

Air breathers & Filler plugs

Filler plug and polyamide air filters Flow rates up to 1600 l/min

TAP114 is a range of plastic large air breathers and filler caps for protection of the tank against the solid contamination contained into the air and filling of the fluid into the systems during the commissioning and maintenance procedures.
They are directly fitted on the tank.

Available features:

- Flanged connection, for a maximum flow rate of 1600 l/min
- Replaceable filter element
- Fine cellulose filtration, to get a good cleanliness level into the reservoir
- Polyester media is an option for heavy environmental conditions (high humidity, sand ...)
- Filling basket, to hold the coarse contamination contained into the fluid and to diffuse the fluid flow into the tank

Common applications:

- Hydraulic systems
- Mobile machines
- Industrial equipment

Flow rate Δp 0.02 bar

	Flow rate [l/min]
	Filtration rating L10
TAP114 length 1	1450
TAP114 length 3	1600

Materials

- Cover: Polyamide
- Filter element: Resin impregnated paper
- Flange: Polyamide
- Seals: NBR
- Screws: Galvanized steel
- Basket: Polyamide

Temperature

From -25 °C to +100 °C

Weight

TAP 114 length 1	0.185 kg
TAP 114 length 3	0.200 kg



Designation & Ordering code

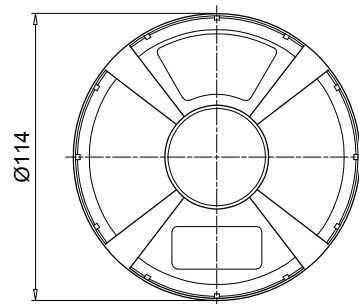
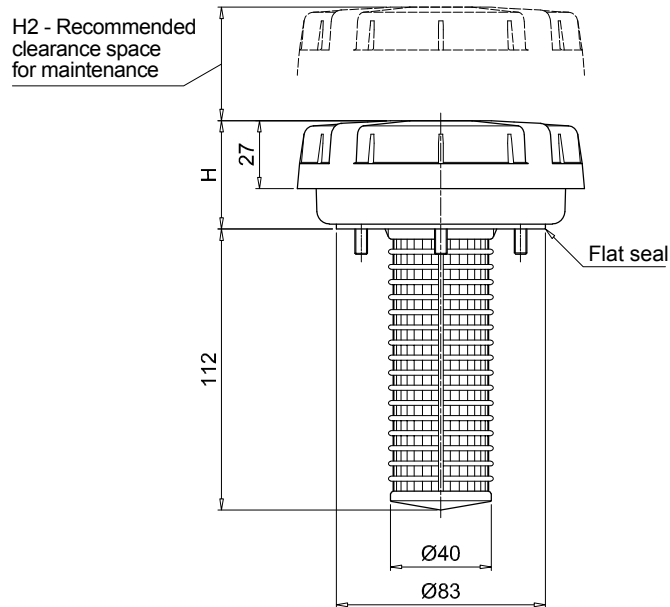
COMPLETE FILLER PLUG / COMPLETE AIR FILTER

Series TAP114	Configuration example : TAP114	1	L10	A	1	P01
Length 1 3						
Filtration rating L10 Resin impregnated paper 10 µm						
Seals A NBR						
Version 1 With basket						
					Execution P01 MP Filtri standard Pxx Customized	

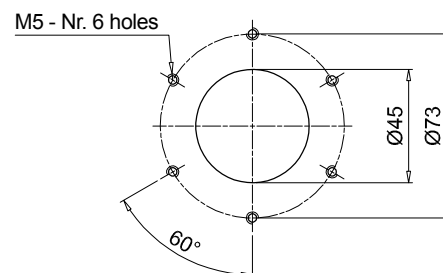
FILTER ELEMENT

Filter element series A114	Configuration example : A114	1	L10	P01
Length 1 3				
Filtration rating L10 Resin impregnated paper 10 µm				
				Execution P01 MP Filtri standard Pxx Customized

TAP114		
Length	H [mm]	H2 [mm]
1	43	30
3	70	60



Holes on the tank



TAP 115 - SAP 115

Filler plug and polyamide air filter up to 3000 l/min



TAP 115 GENERAL INFORMATION

Technical data

Air breathers & Filler plugs

Filler plug and polyamide air filters Flow rates up to 2150 l/min

TAP115 is a range of plastic large air breathers and filler caps for protection of the tank against the solid contamination contained into the air and filling of the fluid into the systems during the commissioning and maintenance procedures.
They are directly fitted on the tank.

Available features:

- Flanged connection, for a maximum flow rate of 2150 l/min
- Replaceable filter element.
- Fine cellulose and microfibre filtration, to get a good cleanliness level into the reservoir. Polyester media is an option for heavy environmental conditions (High humidity, sand ...)
- Visual clogging indicator
- Filling basket, to hold the coarse contamination contained into the fluid and to diffuse the fluid flow into the tank

Common applications:

- Hydraulic systems
- Mobile machines
- Industrial equipment

Flow rate Δp 0.02 bar

	Flow rate [l/min]	
	Filtration rating A03	L10
TAP115 length 1	1600	2000
TAP115 length 2	2150	2150

Materials

- Cover/flange: Polyamide
- Filter element: Microfibre, Resin impregnated paper
- Seals: NBR, FPM
- Basket/screws: Galvanized steel

Clogging indicators

- Manual reset
- Set pressure 0.062 bar \pm 10%

Temperature

From -25 °C to +100 °C

Weight

TAP 115 length 1	0.460 kg
TAP 115 length 2	0.585 kg



Designation & Ordering code

COMPLETE FILLER PLUG / COMPLETE AIR FILTER

Series	Configuration example:	TAP115	2	F	A03	A	1	A	P01
TAP115									
Length									
1 2									
Connections									
F Flange									
Filtration rating									
A03 Inorganic microfiber 3 μ m									
L10 Resin impregnated paper 10 μ m									
Seals									
A NBR V FPM									
Version									
1 With basket									
Clogging indicator									
A Without indicator									
B With visual clogging indicator									
Execution									
P01 MP Filtri standard									
Pxx Customized									

FILTER ELEMENT

Filter element series	Configuration example:	A115	2	A03	P01
A115					
Length					
1 2					
Filtration rating					
A03 Inorganic microfiber 3 μ m					
L10 Resin impregnated paper 10 μ m					
Execution					
P01 MP Filtri standard					
Pxx Customized					

TAP 115

Dimensions

TAP115		
Length	H [mm]	H2 [mm]
1	91	55
2	155	80

