

# TKT - TSD - TKM series

Filler and draining plugs



## Technical data

### Filler / draining plugs

#### Aluminium drain plug

TKM is a range of aluminium compact plugs for draining of the fluid from the systems during the commissioning and maintenance procedures. They are directly fitted on the bottom of the tank. The integrated magnet holds the ferrous contamination.

#### Available features:

- Male threaded connections up to G 1"

#### Common applications:

- Hydraulic systems
- Mobile machines
- Industrial equipment

#### Materials

- Body: Aluminium avec insert magnétique
- Seal: Inorganic fibre

#### Temperature

From -25 °C to +100 °C

#### Weight

TKMG13	14 g
TKMG16	23 g
TKMG20	42 g
TKMG26	95 g
TKMG33	98 g

#### Quantity

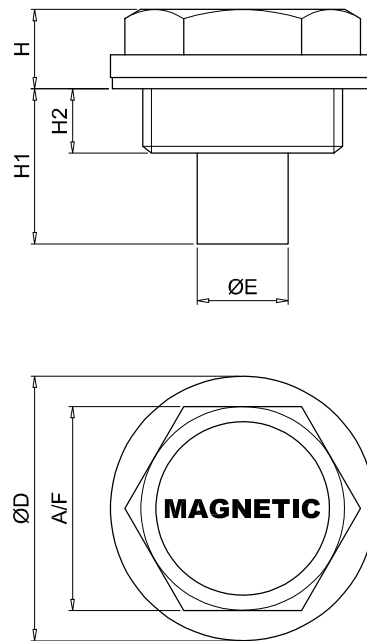
25 pcs/pack



## Designation & Ordering code

### COMPLETE DRAIN PLUG

Series	Configuration example :	TKM	G20	B	P01
<b>TKM</b>					
Connections					
<b>G13</b> G 1/4"					
<b>G16</b> G 3/8"					
<b>G20</b> G 1/2"					
<b>G26</b> G 3/4"					
<b>G33</b> G 1"					
Seals					
<b>B</b> Inorganic fiber					
					Execution
					<b>P01</b> MP Filtri standard
					<b>Pxx</b> Customized



Connections	ØD [mm]	A/F [mm]	ØE [mm]	H [mm]	H1 [mm]	H2 [mm]
<b>G13</b>	19	15	9.5	6	11.5	5.5
<b>G16</b>	22	18	8	9.5	13.5	7.5
<b>G20</b>	28	22	10	9.5	15.5	7.5
<b>G26</b>	35	27	12	10.5	20.5	8.5
<b>G33</b>	42	34	25	13	30.5	10.5