

TKT - TSD - TKM series

Filler and draining plugs



TSD GENERAL INFORMATION

Technical data

Filler / draining plugs

Polyamide filler plug

TSD is a range of polyamide compact air breathers and filler plugs for protection of the tank against the solid contamination contained into the air and filling of the fluid into the systems during the commissioning and maintenance procedures.

They are directly fitted on the tank.

Available features:

- Male threaded connections up to G 1 1/2"
- Metal filtration, to hold the coarse contamination contained into the air
- Caps with different graphics and colours, for the use in several applications
- Dipstick, to monitor the fluid level into the tank even in complicated positions
- Antisplash, to avoid fluid coming out through the air breather due to sloshing

Common applications:

- Hydraulic systems
- Mobile machines
- Industrial equipment

Materials

- Body: Polyamide
- Cover: Polyamide
- Seal: NBR
- Filter: Galvanized steel
- Anti-splash feature: Polyamide
- Dipstick: Phosphatized steel

Temperature

From -25 °C to +100 °C

Weight

TSDG16	15 g
TSDG20	25 g
TSDG26	28 g
TSDG33	60 g
TSDG42	69 g
TSDG48	74 g

Quantity

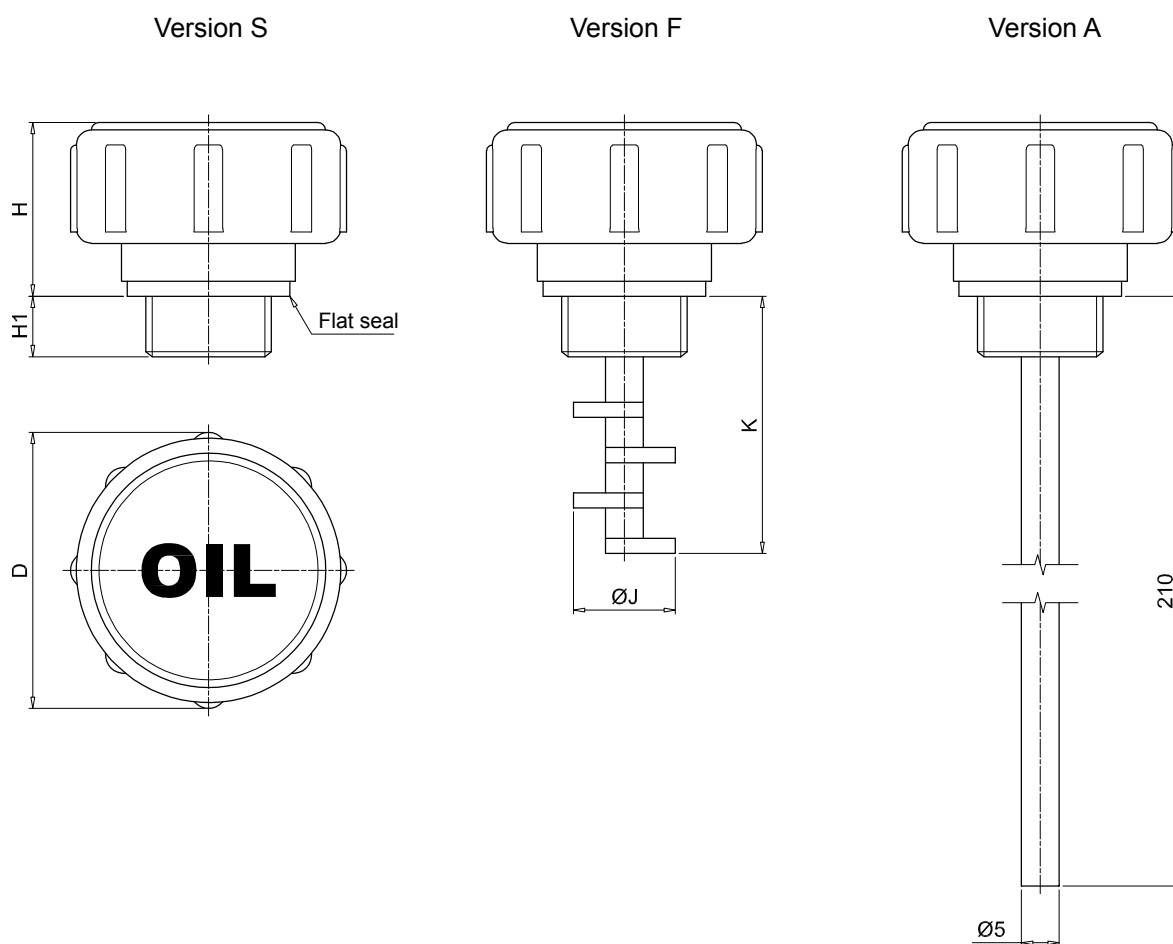
25 pcs/package



Designation & Ordering code

COMPLETE FILLER PLUG

Series	Configuration example :							TSD	G26	R	G	A	F	S	PO1
TSD															
Connections															
G16	G 3/8"	G33	G 1"												
G20	G 1/2"	G42	G 1 1/4"												
G26	G 3/4"	G48	G 1 1/2"												
Cover colour															
R	Red	Y	Yellow												
Cover wording															
O	Oil														
N	Neutral														
G	Gasoil														
Seals															
A	NBR														
Filter element	Cover wording														
O	Without filter element	•	•	•											
A	Steel filter element	•	•												
Version															
S	Standard														
A	With dipstick														
F	With anti-splash feature														
														Execution	
														P01	MP Filtri standard
														Pxx	Customized



Connections	ØD [mm]	H [mm]	H1 [mm]	ØJ [mm]	K [mm]
G16	36.5	23	8	13.5	34
G20	40.5	23	9	17.5	34
G26	46.5	23	10	23.5	35
G33	52.5	24	11	29.5	42
G42	67.5	31.5	12	38	45
G48	67.5	31.5	11	38	45